

# OILFIELD FRICTION PRODUCTS



Woven Drawworks Sets



Rigid Clutch Facings

**A FIRM GRIP  
ON THE FINEST  
NON-ASBESTOS  
FRICTION  
MATERIALS**



**NON-ASBESTOS FRICTION MATERIAL  
FOR OILFIELD APPLICATIONS**

**Drawworks Brake Blocks  
Drilling and Workover**

Main Drum  
Sand Line  
Neutral Brake  
(special combinations and/or applications available)

**Gear Tooth Clutch Facings**

Twin Disc  
Wichita  
Rockford  
(many more)

**Clutch Block Replacements**

Eaton Airflex  
National Dy-a-Flex  
Pneu-Grip  
(more)

**Plain Rings/Catheads**

Foster  
Continental Emsco  
(others)

**Insulator Plates**

Twin Disc  
National Oilwell

**Disc Pads**

Kobelt  
Johnson  
National

**other friction products:**

Anchor Winch Blocks  
Pump Jack blocks and lining  
Grooved/Keylocks (various applications)

**hardware**

brass screws for block sets  
brass keepers and t-head bolts  
cad plated kep-lock nuts  
nylock nuts  
woven plugs

**woven brake linings**

1/8" thru 1-1/4"  
3/4" thru 27" widths  
(all rolls are 25' unless special request)

# TABLE OF CONTENTS

|   | Page No. |   | Page No.  |
|---|----------|---|-----------|
| <b>Drawworks Applications - Woven &amp; Molded Blocks</b> |          |   |           |
| Baylor-Windlass .....                                     | 1        | Sea Coast .....                                     | 12        |
| BDW .....   | 1        | Shaffer .....                                       | 12        |
| Bethlehem - Continental Emsco Products .....              | 1        | Skytop - see Brewster Skytop .....                  | 12        |
| Bissinger & Stien .....                                   | 1        | Spencer Harris .....                                | 13        |
| Brewster - (Skytop Brewster).....                         | 1-2      | Sullivan .....                                      | 13        |
| Bucyrus Erie .....  | 2-3      | Superior Oilfield Service .....                     | 13        |
| Cameron Mfg. ....   | 3        | Taylor Rigs .....                                   | 13        |
| Swab Rig .....  | 3        | Texas Flange Inc. ....                              | 13        |
| Cardwell .....  | 3        | Tri Service Machine .....                           | 13        |
| Challenger Rig / Cooper Mfg. Co.....                      | 3        | Troy .....  | 13        |
| Continental Emsco Ltv Energy .....                        | 4        | Uniflex .....                                       | 13        |
| Cooper Mfg. Co. (Cooper/Loadcraft).....                   | 5        | Wagner-Morehouse .....                              | 13        |
| Crane Carrier .....                                       | 5        | Walker Neer .....                                   | 13-15     |
| Crown .....   | 5        | Wichtex .....                                       | 15        |
| CycleMachine .....  | 5        | Wilson .....  | 16        |
| Dreco - See Superior .....                                | 5        |   |           |
| Duggan .....  | 5        | <b>Cathead &amp; Drawworks Clutch Facings .....</b> | <b>17</b> |
| Geo. E. Failing Co.....                                   | 5-6      |   |           |
| Franks-Cabot .....  | 6        | <b>Drawworks Clutch Data</b>                        |           |
| Gardner-Denver Cooper Ind. ....                           | 7        | Brewster - (Skytop Brewster) .....                  | 18        |
| Got 29 Special .....                                      | 7        | Cardwell Int'l .....                                | 18        |
| Hopper Hoist.....   | 7        | Cooper/Loadcraft .....                              | 19        |
| Houston Systems .....                                     | 7        | Continental Emsco Ltv Energy .....                  | 19        |
| Hycalog.....  | 7        | Geo. E. Failing Co. ....                            | 19        |
| Ideco .....   | 8        | Hooper .....  | 19        |
| Kin Rig .....   | 8        | IDECO - IRI.....                                    | 20        |
| Kremco-Dreco.....   | 9        | IRI - Ingersoll Rand.....                           | 20        |
| Lee Engineering .....                                     | 9        | IRI - Franks (Workover).....                        | 20        |
| Mac .....   | 9        | Kremco .....  | 20        |
| Mainland .....  | 9        | Mid-Continent .....                                 | 21        |
| Mesa Mfg. ....  | 9        | National - Oilwell.....                             | 21        |
| Mid-Continent/Unit Rig .....                              | 9-10     | Oilwell .....                                       | 22        |
| Mid-Way Mfg. ....   | 10       | OIME.....   | 22        |
| Moller Mfg. ....  | 10       | RF 38 & RF52 Gear Tooth Facings .....               | 23-24     |
| Mountain Rig.....   | 10       |   |           |
| National Oilwell .....                                    | 10-11    | <b>Product Data</b>                                 |           |
| O.I.L. ....   | 11       | Woven Brake Lining - "A-Block" .....                | 25        |
| Oilwell-National Oilwell .....                            | 11       | RF 34 .....   | 26        |
| Oilfield Industries Mfg. & Engr. ....                     | 12       | Green Gripper Woven (GGW) .....                     | 27        |
| Parker .....  | 12       | RF 425 .....  | 28        |
| Pemco "Hoss" .....  | 12       | RF 38 .....   | 29        |
| Pool.....   | 12       | RF 52 .....   | 30        |
| Rig Equipment Mfg. ....                                   | 12       | Typical Applications .....                          | 31        |
|   |          | Installation Notes .....                            | 32        |

## WOVEN AND MOLDED NON-ASBESTOS BLOCKS FOR DRAWWORKS

| DRAWWORKS<br>MANUFACTURER & MODEL                      | TFM/SP<br>PART NO. | NO<br>PCS | SIZE                       | QTY.-SIZE &<br>TYPE SCREWS               |
|--|--------------------|-----------|----------------------------|--|
| <b>BAYLOR-WINDLASS</b>                                 |                    |           |                            |  |
| 72"  | WL2485             | 10        | 1 1/4 x 12 x 21            | 170-3/8 x 1 1/2 FHS                      |
| <b>BDW</b>   |                    |           |                            |  |
| MAIN DRUM  |                    |           |                            |  |
| 450 T; 650 M   | WL2196             | 18        | 1 x 8 x 12                 | 64-3/8 x 1 1/4 BFH<br>8-3/8 x 1 1/2 BFH  |
| 800 NI; 800 MX   | WL2295             | 22        | 1 x 9 x 12                 | 84-3/8 x 1 1/4 BFH<br>4-3/8 x 1 1/2 BFH  |
| 1350 M   | WL2370             | 24        | 1 1/8 x 10 x 12            | 104-3/8 x 1 1/2 FHS<br>16-3/8 x 2 FHS    |
| 1800 M   | WL2379             | 26        | 1 1/4 x 10 x 12            | 114-3/8 x 1 1/2 FHS<br>16-3/8 x 2 FHS    |
| <b>BETHLEHEM</b>                                       |                    |           |                            |  |
| <b>CONTINENTAL EMSCO PRODUCTS</b>                      |                    |           |                            |  |
| MAIN DRUM  |                    |           |                            |  |
| S45A   | WL2100             | 20        | 1 x 7 x 11 7/8             | 100-5/16 x 1 1/4 BFH                     |
| S-36; S-40; S-45; S-45-E                               | WL2100             | 18        | 1 x 7 x 11 7/8             | 90-5/16 x 1 1/4 BFH                      |
| S-50   | WL2103             | 20        | 1 x 7 x 12                 | 100-5/16 x 1 1/4 BFH                     |
| C-50   | WL2184             | 20        | 1 1/8 x 8 x 12             | 120-3/8 x 1 1/2 FHS                      |
| S-55; S-60; M-58                                       | WL2181             | 20        | 1 1/8 x 8 x 13 21/32       | 120-5/16 x 1 1/2 BFH                     |
| M-810  | WL2187             | 22        | 1 1/8 x 8 1/2 x 13 3/4     | 132-3/8 x 1 1/2 FHS                      |
| B-3661 Or CE3000                                       | WL2457             | 30        | 1 1/4 x 12 x 12            | 180-3/8 x 1 1/2 FHS                      |
| SAND REEL  |                    |           |                            |  |
| S-45-E; C-50; M-58; S-55; S-60; M-810;<br>1013; B-3661 | WL2100             | 16        | 1 x 7 x 11 7/8             | 80-5/16 x 1 1/4 BFH                      |
| <b>BISSINGER &amp; STIEN</b>                           |                    |           |                            |  |
| 32"  | WL2397             | 28        | 1 x 10 x 12                | 168-3/8 x 1 1/4 BFH                      |
| <b>BREWSTER - (SKYTOP/BREWSTER)</b>                    |                    |           |                            |  |
| MAIN DRUM  |                    |           |                            |  |
| Lower Drum F/N2, N-3, 70B, F-100;                      |                    |           |                            |  |
| N-75 Upper Drum  | WL2040             | 18        | 3/4 x 6 x 12               | 72-3/8 x 1 1/4 BFH                       |
| N-4-16   | WL2193             | 16        | 3/4 x 8 x 12               | 64-3/8 x 1 1/4 BFH                       |
| N-4; N-35; N-4-W                                       | WL2193             | 18        | 3/4 x 8 x 12               | 72-3/8 x 1 1/4 BFH<br>64-3/8 x 1 1/4 BFH |
| N-55; N-45; N-4-A; D-4                                 | WL2196             | 18        | 1 x 8 x 12                 | 8-3/8 x 1 1/2 BFH                        |
| N-5  | WL2196             | 22        | 1 x 8 x 12                 | 88-3/8 x 1 1/4 BFH<br>84-3/8 x 1 1/4 BFH |
| N-7; N-75; N75-A; NE-75                                | WL2295             | 22        | 1 x 9 x 12                 | 4-3/8 x 1 1/2 BFH                        |
| C-7  | WL2247             | 20        | 1 1/8 x 8 x 12             | 80-3/8 x 1 1/2 FHS<br>94-3/8 x 1 1/2 FHS |
| N10; N-85  | WL2370             | 22        | 1 1/8 x 10 x 12 5-hole API | 16-3/8 x 2 FHS                           |

## WOVEN AND MOLDED NON-ASBESTOS BLOCKS FOR DRAWWORKS

| DRAWWORKS<br>MANUFACTURER & MODEL  | TFM/SP<br>PART NO. | NO<br>PCS | SIZE                       | QTY.-SIZE &<br>TYPE SCREWS            |
|--|--------------------|-----------|----------------------------|---------------------------------------|
| <b>BREWSTER-(SKYTOP/BREWSTER)</b>  |                    |           |                            | 104-3/8 x 1 1/2 FHS                   |
| N-95; N-95-A; SB-1500; SB-1500-E   | WL2370             | 24        | 1 1/8 x 10 x 12 5-hole API | 16-3/8 x 2 FHS                        |
| N-12; N-12A; NE-12   | WL2379             | 26        | 1 1/4 x 10 x 12 5-hole API | 114-3/8 x 1 1/2 FHS<br>16-3/8 x 2 FHS |
| N-20; N-20-A   | WL2460             | 28        | 1 1/4 x 12 x 12 5-hole API | 124-3/8 x 1 1/2 FHS<br>16-3/8 x 2 FHS |
| SB-3000-E  | WL2379             | 28        | 1 1/4 x 10 x 12 5-hole API | 140-3/8 x 1 1/2 FHS                   |
| <b>*SAND REEL</b>  |                    |           |                            |                                       |
| D-70; N-3; N-4; N-7; 70-B  | WL2040             | 14        | 3/4 x 6 x 12               | 56-3/8 x 1 1/4 BFH                    |
| <b>BREWSTER-(SKYTOP/BREWSTER)</b>  |                    |           |                            |                                       |
| <b>MAIN DRUM</b>   |                    |           |                            |                                       |
| <i>(Mobile or Trailer Mounted Equipment)</i>                               |                    |           |                            |                                       |
| H-32-38; H-32; Sand Line NE-12   | WL2193             | 16        | 3/4 x 8 x 12               | 64-3/4 x 1 1/4 BFH                    |
| HE-3808; H-38; S/N H-1135 & Up   | WL2247             | 18        | 1 1/8 x 8 x 12             | 72-3/8 x 1 1/2 FHS                    |
| H-42; S/N H-1135 & Up  | WL2247             | 20        | 1 1/8 x 8 x 12             | 80-3/8 x 1 1/2 FHS                    |
| DH-4210; DH1-4210; H1-4210A; N-42  | WL2370             | 20        | 1 1/8 x 10 x 12            | 100-3/8 x 1 1/2 FHS                   |
| DH-4610; DH1-4610; H1-4610; N-46;<br>N-46-A; NE-46; SB-1000; SB-1000-E     | WL2370             | 22        | 1 1/8 x 10 x 12            | 110-3/8 x 1 1/2 FHS                   |
| H-42; H-42-42; Thru S/N 1135; B-28<br>Swab Unit; and some older sand reels | WL2228             | 18        | 1 1/8 x 8 x 11 3/4         | 72-3/8 x 1 1/2 FHS                    |
| <b>SAND REEL</b>   |                    |           |                            |                                       |
| DH-4610; DH1-4610; H1-4610; DH-4210;<br>DH1-4210; H1-4210; B1-3808         | WL2247             | 18        | 1 1/8 x 8 x 12             | 72-3/8 x 1 1/2 FHS                    |
| <b>BUCYRUS ERIE</b>  |                    |           |                            |                                       |
| 24 L Bull Reel   | WL2046             | 7         | 1/2 x 6 x 11 1/16          | 42-3/16 x 1 BR<br>with 5/8 head       |
| 28 L Sand Reel   | WL2012             | 12        | 1/2 x 3 x 12               | 72-3/16 x 1 BR<br>with 5/8 head       |
| 28 L Casing Reel   | WL2014             | 8         | 1/2 x 5 x 11               | 48-3/16 1 x BR<br>with 5/8 head       |
| 28 L Bull Reel   | WL2025             | 14        | 3/4 x 5 x 11 1/2           | 84-3/16 x 1 BR<br>with 5/8 head       |
| 36 L Sand Reel (Old Style)   | WL2015             | 16        | 5/8 x 4 x 11 1/2           | 96-3/16 x 1 BR<br>with 5/8 head       |
| 36 L Casing Reel (Old Style)   | WL2046             | 7         | 1/2 x 6 x 11 1/16          | 42-3/16 x 1 BR<br>with 5/8 head       |
| 36 L Bull Reel (Old Style)   | WL2049             | 18        | 3/4 x 6 x 11 1/2           | 108-3/16 x 1 BR<br>with 5/8 head      |
| 36 L Sand Reel (New Style)   | WL2016             | 16        | 5/8 x 5 x 12               | 96-3/16 x 1 BR<br>with 5/8 head       |
| 36 L Casing Reel (New Style)   | WL2052             | 8         | 1/2 x 6 x 11 3/4           | 48-3/16 x 1 BR<br>with 5/8 head       |
| 36 L Bull Reel (New Style)   | WL2095             | 18        | 3/4 x 7 x 12               | 108-3/16 x 1 BR<br>with 5/8 head      |
| 48 L Sand Reel   | WL2055             | 16        | 5/8 x 6 x 10               | 96-3/16 x 1 BR<br>with 5/8 head       |
| 48 L Casing Reel   | WL2019             | 16        | 5/8 x 5 x 11 3/4           | 96-3/16 x 1 BR<br>with 5/8 head       |
| 48 L Bull Reel   | WL2202             | 18        | 1 x 8 x 12 11/16           | 144-3/16 x 1 BR<br>with 5/8 head      |

## WOVEN AND MOLDED NON-ASBESTOS BLOCKS FOR DRAWWORKS

| DRAWWORKS<br>MANUFACTURER & MODEL  | TFM/SP<br>PART NO. | NO<br>PCS | SIZE               | QTY.-SIZE &<br>TYPE SCREWS      |
|--|--------------------|-----------|--------------------|---------------------------------|
| <b>BUCYRUS ERIE</b>  |                    |           |                    |                                 |
| 60 L Sand Reel   | WL2011             | 12        | 1/2 x 3 x 12       | 60-3/16 x 1 BR<br>with 5/8 head |
| 60 L Bull Reel   | WL2046             | 7         | 1/2 x 6 x 11 1/16  | 42-3/16 x 1BR<br>with 5/8 head  |
| <b>CAMERON MFG</b>   |                    |           |                    |                                 |
| 400  | WL2463             | 20        | 1 1/8 x 12 x 12    | 120-3/8 x 1 1/2 FHS             |
| <b>SWAB RIG</b>  |                    |           |                    |                                 |
| 38-8   | WL2199             | 18        | 1 x 8 x 12         | 108-3/8 x 1 1/4 BFS             |
| <b>CARDWELL</b>  |                    |           |                    |                                 |
| <b>MAIN DRUM</b>   |                    |           |                    |                                 |
| MA; MH Small Drum  |                    |           |                    |                                 |
| QS; QST; Q-100; Q-101 Both drums   | WL2058             | 14        | 5/8 x 6 x 9 13/16  | 70-1/4 x 1 BFH                  |
| AH; AL; HL; HS; C-32; AHZ; A-150;<br>A-151   | WL2106             | 18        | 5/8 x 7 x 10 1/2   | 90-5/16 x 1 1/8 BFH             |
| A-100; AB-100; K-100; Both drums   | WL2109             | 18        | 3/4 x 7 x 10       | 90-5/16 x 1 1/4 BFH             |
| KL; KS; L; LA; K; K-200; K-201; K-202;<br>M-200; A-150-A; SKYHORSE; C-36;<br>L-129   | WL2205             | 18        | 3/4 x 8 x 10 29/32 | 90-5/16 x 1 1/8 BFH             |
| K-150; KB-150; Main Drum & Sand<br>Line  | WL2261             | 18        | 1 x 8 x 10 29/32   | 90-5/16 x 1 1/4 BFH             |
| RL; S; SS; SU; RS  | WL2298             | 24        | 3/4 x 9 x 10       | 120-5/16 x 1 1/4-BFH            |
| L-350; M-250; K-200A; KM200A;<br>KB-200A; C-HORSE  | WL2208             | 20        | 1 x 8 x 10 15/16   | 100-5/16 x 1 1/4 BFH            |
| D; D-66; DS; DT; J-450; K-201-A<br>K-210; K210-A; K-210-B; K-211; KB-210;<br>KB210-A; KM-210; K-250; K-250-A; KB-250;<br>KM250; O; OA; R; S-350; T; TR | WL2301             | 24        | 1 x 9 x 10 1/4     | 120-5/16 x 1 1/4 BFH            |
| J-700 (Specify Width of Flanae)  | WL2304             | 24        | 1 x 9 x 10 3/4     | 120-5/16 x 1 1/4 BFH            |
| K-500; K500-SD; KB-500; KH-500;<br>K-600; K-700; KB-700  | WL2382             | 24        | 1 x 10 x 10 3/4    | 120-5/16 x 1 1/4 BFH            |
| K-200-B; C; KB-200-B; C; KM200B  | WL2385             | 20        | 1 x 10 x 10 15/16  | 100-5/16 x 1 1/4 BFH            |
| K-1000; KB-1000; KH-1000   | WL2463             | 24        | 1 1/8 x 12 x 12    | 144-3/8 x 1 1/2 FHS             |
| <b>SAND REELS</b>  |                    |           |                    |                                 |
| AH; AL; HL; KL; RL; A-150; A-151   | WL2106             | 18        | 5/8 x 7 x 10 1/2   | 90-5/16 x 1 1/8 BFH             |
| DS; DT; K-200; K-201; K-210; K-211;<br>KB-210; M-200-A; KM-210; LA; L-350;<br>M-200; MA; MH; O; OA; OC   | WL2112             | 18        | 3/4 x 7 x 10 29/32 | 90-5/16 x 1 1/4 BFH             |
| K-200-A; K-200-B; K-201-A; KB-200-B;<br>KM-200-B; K-210; K-210-A; K-250;<br>KM-250; M-250- J-450; J-700; S-350;<br>KM-210                              | WL2121             | 20        | 1 x 7 x 10 15/16   | 100-5/16 x 1 1/4 BFH            |
| C-HORSE; SKYHORSE; A-150-A; TR;<br>K-210-B; K-250-A  | WL2205             | 18        | 3/4 x 8 x 10 29/32 | 90-5/16 x 1 1/8 BFH             |
| K-600; K-700; KB-700; KB-1000  | WL2301             | 24        | 1 x 9 x 10 1/4     | 120-5/16 x 1 1/4 BFH            |
| K-500; KB-500  | WL2388             | 24        | 1 x 10 x 10 1/4    | 120-5/16 x 1 1/4 BFH            |
| K-200-C  | WL2385             | 20        | 1 x 10 x 10 15/16  | 100-5/16 x 1 1/4 BFH            |
| <b>CHALLENGER RIG/COOPER MFG. CO.</b>  |                    |           |                    |                                 |
| <b>MAIN DRUM</b>   |                    |           |                    |                                 |
| 280  | WL2037             | 14        | 3/4 x 6 x 12       | 56-3/8 x 1 1/4 BFH              |
| 320; 320-H; 360  | WL2199             | 16        | 1 x 8 x 12         | 96-3/8 x 1 1/4 BFH              |



## WOVEN AND MOLDED NON-ASBESTOS BLOCKS FOR DRAWWORKS

| DRAWWORKS<br>MANUFACTURER & MODEL   | TFM/SP<br>PART NO. | NO<br>PCS | SIZE            | QTY.-SIZE &<br>TYPE SCREWS            |
|---|--------------------|-----------|-----------------|---------------------------------------|
| <b>CONTINENTAL EMSCO</b>  |                    |           |                 |                                       |
| <b>MAIN DRUM</b>  |                    |           |                 |                                       |
| GA-250-T; G-36; G-300; GA-350;<br>GC-350; GB-350  | WL2061             | 16        | 1 x 6 1/2 x 13  | 64-3/8 x 1 1/4 BFH                    |
| GA-160-T  | WL2124             | 14        | 1 x 7 1/2 x 12  | 56-3/8 x 1 1/4 BFH                    |
| GB-160-T; GB-160-TS   | WL2124             | 16        | 1 x 7 1/2 x 12  | 64-3/8 x 1 1/4 BFH                    |
| GB-250-T; GC-350-T; T-103-250;<br>GB-350-T  | WL2124             | 18        | 1 x 7 1/2 x 12  | 72-3/8 x 1 1/4 BFH                    |
| G-42; G-450; G-500; GA-500; GB-500  | WL2124             | 20        | 1 x 7 1/2 x 12  | 80-3/8 x 1 1/4 BFH                    |
| GC-500; A-550; WSI; D-1; D-2; D-2E;<br>D-2M   | WL2211             | 20        | 1 x 8 x 12      | 80-3/8 x 1 1/4 BFH                    |
| GB-800; A-800; A-800-E  | WL2307             | 20        | 1 1/8 x 9 x 13  | 120-3/8 x 1 1/2 FHS                   |
| J-750; J-1000; CB-54; H-54; H-54-A;<br>UB-54; UH-54-A; UBLS-54; EC-54;<br>ECA-54; FRC-54; ED&DEL-54 Series;<br>Types A,C,CA,CB,&CC-54; D-3; D-3-11;<br>D3-111 | WL2313 (6)         | 20        | 1 1/4 x 9 x 12  | 106-3/8 x 1 1/2 FHS                   |
| J-1100; ED-60; EDA  | WL2313             | 22        | 1 1/4 x 9 x 12  | 68-3/8 x 1 1/2 FHS<br>12-3/8 x 2 FHS  |
| J-1250; J-1400; J-1600; ECC   | WL2313             | 24        | 1 1/4 x 9 x 12  | 120-3/8 x 1 1/2 FHS<br>12-3/8 x 2 FHS |
| J-2000; EDA-60-L<br>EDE; EDES   | WL2313             | 26        | 1 1/4 x 9 x 12  | 132-3/8 x 1 1/2 FHS<br>12-3/8 x 2 FHS |
| A-1100; ElectroHoist 11, S/N 1-15   | WL2391             | 24        | 1 1/4 x 10 x 12 | 140-3/8 x 1 1/2 FHS<br>4-3/8 x 2 FHS  |
| A-1500; A-1500-E  | WL2391             | 28        | 1 1/4 x 10 x 12 | 164-3/8 x 1 1/2 FHS<br>6-3/8 x 2 FHS  |
| C-1; C-1-11; C-1-111  | WL2427             | 22        | 1 1/4 x 10 x 12 | 128-3/8 x 1 1/2 FHS<br>4-3/8 x 2 FHS  |
| C-2; C-2-11; C-2-111; Electro Hoist 11,<br>S/N 16 & Up  | WL2427             | 24        | 1 1/4 x 10 x 12 | 140-3/8 x 1 1/2 FHS<br>4-3/8 x 2 FHS  |
| C-3; C-3-11; C-3-111  | WL2427             | 28        | 1 1/4 x 10 x 12 | 162-3/8 x 1 1/2 FHS<br>6-3/8 x 2 FHS  |
| Electro Hoist 111; CE-3000 or B-3661  | WL2457             | 30        | 1 1/4 x 12 x 12 | 180-3/8 x 1 1/2 FHS                   |
| C-1; C-2; C-3; Type SS Disc Brakes  |                    | 8         | Disc Pads       |                                       |
| <b>SAND REEL</b>  |                    |           |                 |                                       |
| GA-250-T; G-36; G-300; GA-350;<br>GB-350; G-42; G-450; G-500; GB-500;<br>GB-800   | WL2061             | 14        | 1 x 6 1/2 x 13  | 56-3/8 x 1 1/4 BFH                    |
| CE-3000 to S/N 117  | WL2100             | 16        | 1 x 7 x 11 7/8  | 80-5/16 x 1 1/4 BFH                   |
| GB-160-T; GB-160-TS; GB-250-T;<br>T-103-250   | WL2124             | 14        | 1 x 7 1/2 x 12  | 56-3/8 x 1 1/4 BFH                    |
| GC-350-T; GA-500; GC-500; A-550;<br>A-800; J-1100; J-1250; J-1400; J-1600;<br>WSI; T-103; D-2; D-3  | WL2124             | 16        | 1 x 7 1/2 x 12  | 56-3/8 x 1 1/4 BFH                    |
| A-1100; A-1500; ECR; ECR-25;<br>CE-3000; S/N 117 & Up C-1; C-2; C-3   | WL2124             | 18        | 1 x 7 1/2 x 12  | 72-3/8 x 1 1/4 BFH                    |

## WOVEN AND MOLDED NON-ASBESTOS BLOCKS FOR DRAWWORKS

| DRAWWORKS<br>MANUFACTURER & MODEL                          | TFM/SP<br>PART NO. | NO<br>PCS | SIZE               | QTY.-SIZE &<br>TYPE SCREWS            |
|--|--------------------|-----------|--------------------|---------------------------------------|
| <b>COOPER MFG. CO.</b>                                     |                    |           |                    |                                       |
| MAIN DRUM  |                    |           |                    |                                       |
| A-26; A-26-26; TR-26; TR-26-26                             | WL2040             | 12        | 3/4 x 6 x 12       | 48-3/8 x 1 1/4 BFH                    |
| P-32; P-132  | WL2040             | 14        | 3/4 x 6 x 12       | 56-3/8 x 1 1/4 BFH                    |
|  | WL2067 (4)         | 16        | 1 x 6 x 12         | 64-3/8 x 1 1/4 BFH                    |
| TR-36; TRP-136; P-136                                      | WL2064 (6)         | 16        | 1 x 6 x 12         | 96-3/8 x 1 1/4 BFH                    |
| A-32; A-32-32; TR-32; TR-32-32                             | WL2199 (6)         | 16        | 1 x 8 x 12         | 96-3/8 x 1 1/4 BFH                    |
| A-38; TR-38; LTO-38-38;                                    | WL2199 (6)         | 18        | 1 x 8 x 12         | 108-3/8 x 1 1/4 BFH                   |
| A-42; A-142  | WL2199 (6)         | 20        | 1 x 8 x 12         | 120-3/8 x 1 1/4 BFH                   |
| LTO-150; LTO-250; LTO-3810                                 | WL2394 (6)         | 18        | 1 x 10 x 12        | 108-3/8 x 1 1/4 BFH                   |
| A-4210; TR-4210; LTO-4210; LTO-350x10                      | WL2394 (6)         | 20        | 1 x 10 x 12        | 120-3/8 x 1 1/4 BFH                   |
| D-5000; 520; D-50  | WL2394 (6)         | 24        | 1 x 10 x 12        | 144-3/8 x 1 1/4 BFH                   |
| Oiler 4212-42; LTO-4212; LTO-550;<br>LTO-750; LTO-350 x 12 | WL2463             | 20        | 1 1/8 x 12 x 12    | 120-3/8 x 1 1/2 FHS                   |
| SAND REEL  |                    |           |                    |                                       |
| TR-42-36; TR-38-36   | WL2064 (6)         | 16        | 1 x 6 x 12         | 96-3/8 x 1 1/4 BFH                    |
| 38-38; 4210-38; 4212-38                                    | WL2199 (6)         | 18        | 1 x 8 x 12         | 108-3/8 x 1 1/4 ~FH                   |
| 42-42  | WL2199 (6)         | 20        | 1 x 8 x 12         | 120-3/8 x 1 1/4 BFH                   |
| <b>CRANE CARRIER</b>                                       |                    |           |                    |                                       |
| 42 x 8   | WL2196             | 20        | 1 x 8 x 12         | 80-3/8 x 1 1/4 BFH                    |
| 42 x 10; 400   | WL2397             | 20        | 1 x 10 x 12        | 120-3/8 x 1 1/4 BFH                   |
| 42 x 12; 500   | WL2463             | 20        | 1 1/8 x 12 x 12    | 120-3/8 x 1 1/2 FHS                   |
| SAND REEL  |                    |           |                    |                                       |
| 42 x 10; 42 x 8  | WL2196             | 20        | 1 x 8 x 12         | 80-3/8 x 1 1/4 BFH                    |
| <b>CROWN</b>   |                    |           |                    |                                       |
| 500  | WL2463             | 20        | 1 1/8 x 12 x 12    | 120-3/8 x 1 1/2 FHS                   |
| <b>CYCLE MACHINE</b>                                       |                    |           |                    |                                       |
|  | WL 2343            | 20        | 1 1/4 x 9 3/4 x 12 | 100-3/8 x 1 1/2 FHS<br>20-3/8 x 2 FHS |
| <b>DRECO - See Superior</b>                                |                    |           |                    |                                       |
| <b>DUGGAN</b>  |                    |           |                    |                                       |
| S-5  | WL2193             | 18        | 3/4 x 8 x 12       | 72-3/8 x 1 1/4 BFH                    |
| <b>GEFCO/GEO. E. FAILING CO.</b>                           |                    |           |                    |                                       |
| 2000 CF; 2008 LP   | WL2133             | 16        | 3/4 x 5 x 7        | 64-3/8 x 1 1/4 BFH                    |
| FP-3   | WL2134             | 16        | 3/4 x 6 x 7        | 64-3/8 x 1 1/4 BFH                    |
| DMX  | WL2135             | 18        | 3/4 x 7 x 7        | 72-3/8 x 1 1/4 BFH                    |
| 2500; 2500-SE  | WL2136             | 16        | 3/4 x 7 x 8 3/4    | 64-3/8 x 1 1/4 BFH                    |
| 90; 95; 3500   | WL2316             | 14        | 1 x 9 x 12         | 84-3/8 x 1 1/4 BFH                    |
| 8000   | WL2434             | 20        | 1 x 11 x 12        | 120-3/8 x 1 1/4 BFH                   |
| 66   | WL2214             | 18        | 5/8 x 8 x 9 1/2    | 144-3/16 x 3/4 BFH                    |



## WOVEN AND MOLDED NON-ASBESTOS BLOCKS FOR DRAWWORKS

| DRAWWORKS<br>MANUFACTURER & MODEL  | TFM/SP<br>PART NO. | NO<br>PCS | SIZE                 | QTY.-SIZE &<br>TYPE SCREWS                 |
|--|--------------------|-----------|----------------------|--|
| <b>GEFCO/GEO. E. FAILING CO.</b>   |                    |           |                      |  |
| SAND REEL-1500   | WL2127             | 14        | 3/4 x 4 1/2 x 7 1/8  | 56-3/8 x 1 1/4 BFH                         |
| SAND REEL-2500   | WL2036             | 14        | 3/4 x 4 1/2 x 9      | 56-3/8 x 1 1/4 BFH                         |
| <b>FRANKS-CABOT<br/>(Ingersoll Rand; IRI)</b>  |                    |           |                      |  |
| <b>MAIN DRUM</b>   |                    |           |                      |  |
| *PATTERNED SETS WITH MOLDED<br>BLOCKS ARE AVAILABLE. CONSULT<br>YOUR PARTS BOOK FOR MANUFAC-<br>TURERS RECOMMENDATION. |                    |           |                      |  |
| Senior (Old Style)   | WL2070             | 26        | 3/8 x 6 x 7 1/2      | 88-1/4 x 3/4 BFH Super<br>16-1/4 x 1 BFH   |
| 33 (Old 3000) MAIN DRUMS and/or<br>SAND REEL   | WL2139             | 24        | 1/2 x 7 x 7 1/2      | 84-1/4 x 3/4 BFH<br>12-1/4 x 1 BFH         |
| 3000 A; Prewar 4000; 4000A; Oversize   |                    |           | 112-5/16 x 1 1/8 BFH |  |
| East Texas   | WL2148             | 18        | 1 x 7 x 12           | 32-5/16 x 1 1/4 BFH                        |
| 80, 844  | WL2217             | 16        | 1 x 8 x 12           | 96-5/16 x 1 1/8 BFH                        |
| 44 (Old 4000); 44-8  | WL2217             | 16        | 1 x 8 x 12           | 32-5/16 x 1 1/4 BFH                        |
|  | WL2219             | 2         | 1 x 8 x 3            | 100-5/16 x 1 1/8 BFH                       |
| SA4500; Prewar 5000; Oversize  |                    |           |                      | 112-5/16 x 1 1/8 BFH                       |
| Super East Texas   | WL2217             | 18        | 1 x 8 x 12           | 32-5/16 x 1 1/4 BFH                        |
| 65 (Old 5000); 865;  | WL2217             | 18        | 1 x 8 x 12           | 120-5/16 x 1 1/8 BFH                       |
| 65-8;  | WL2220             | 2         | 1 x 8 x 6            | 32-5/16 x 1 1/4 BFH                        |
| 87-8   | WL2217             | 20        | 1 x 8 x 12           | 136-5/16 x 1 1/8 BFH                       |
|  | WL2220             | 2         | 1 x 8 x 6            | 32-5/16 x 1 1/4 BFH                        |
| 3810; 1058; 65-10  | WL2400             | 18        | 1 x 10 x 12          | 120-5/16 x 1 1/8 BFH                       |
|  | WL2403             | 2         | 1 x 10 x 6           | 32-5/16 x 1 1/4 BFH                        |
| 658; 87 (Old 7000);  | WL2400             | 20        | 1 x 10 x 12          | 136-5/16 x 1 1/8 BFH                       |
| Aircooled  | WL2403             | 2         | 1 x 10 x 6           | 32-5/16 x 1 1/4 BFH                        |
| SA5000; SA6000; SG-101 Water   | WL2400             | 22        | 1 x 10 x 12          | 152-5/16 x 1 1/8 BFH                       |
| Cooled   | WL2403             | 2         | 1 x 10 x 6           | 32-5/16 x 1 1/4 BFH                        |
| M5000LT; 137 Water Cooled  | WL2400             | 22        | 1 x 10 x 12          | 148-5/16 x 1 1/8 BFH                       |
|  | WL2406             | 2         | 1 x 10 x 3           | 32-5/16 x 1 1/4 BFH                        |
| 4212; 2042; 1287; 1287-W; 750; 750-E;  | WL2466             | 20        | 1 1/8 x 12 x 12      | 136-5/16 x 1 1/4 BFH                       |
| 700-E  | WL2475             | 2         | 1 1/8 x 12 x 6       | 32-5/16 x 1 1/2 BFH                        |
| 2346; 1000; 900; 900-E; 2346-SHL   | WL2466             | 22        | 1 1/8 x 12 x 12      | 168-5/16 x 1 1/4 BFH                       |
|  | WL2475             | 2         | 1 1/8 x 12 x 6       | 16-5/16 x 1 1/2 BFH                        |
| 2550; 2550-HL  | WL2466             | 24        | 1 1/8 x 12 x 12      | 180-5/16 x 1 1/4~ BFH                      |
|  | WL2475             | 2         | 1 1/8 x 12 x 6       | 20-5/16 x 1 1/2 BFH                        |
| <b>SAND REEL</b>   |                    |           |                      |  |
| 80; 844  | WL2217             | 16        | 1 x 8 x 12           | 96-5/16 x 1 1/8 BFH<br>32-5/16 x 1 1/4 BFH |
|  | WL2217             | 18        | 1 x 8 x 12           | 120-5/16 x 1 1/8 BFH                       |
| 65 (Old 5000); 120   | WL2220             | 2         | 1 x 8 x 6            | 32-5/16 x 1 1/4 BFH                        |
|  | WL2217             | 20        | 1 x 8 x 12           | 136-5/16 x 1 1/8 BFH                       |
| 160; 160-R   | WL2220             | 2         | 1 x 8 x 6            | 32-5/16 x 1 1/4 BFH                        |
|  | WL2400             | 20        | 1 x 10 x 12          | 136-5/16 x 1 1/8 BFH                       |
| 87 (Old 7000); 658   | WL2403             | 2         | 1 x 10 x 6           | 32-5/16 x 1 1/4 BFH                        |

## WOVEN AND MOLDED NON-ASBESTOS BLOCKS FOR DRAWWORKS

| DRAWWORKS<br>MANUFACTURER & MODEL                | TFM/SP<br>PART NO. | NO<br>PCS | SIZE               | QTY.-SIZE &<br>TYPE SCREWS |
|--|--------------------|-----------|--------------------|----------------------------|
| <b>GARDNER-DENVER</b>                            |                    |           |                    |                            |
| MAIN DRUM  |                    |           |                    |                            |
| 2500 Mayhew                                      | WL2193             | 14        | 3/4 x 8 x 12       | 56-3/8 x 1 1/4 BFH         |
| 3000 Mayhew                                      | WL2193             | 18        | 3/4 x 8 x 12       | 72-3/8 x 1 1/4 BFH         |
| 5000 Mayhew                                      | WL2196             | 22        | 1 x 8 x 12         | 88-3/8 x 1 1/4 BFH         |
| 500; 500-E; 500-S; 1500-S                        | WL2196             | 20        | 1 x 8 x 12         | 80-3/8 x 1 1/4 BFH         |
| 700; 700-E; 800; 800-E; 800-R; 1000-S            | WL2319             | 20        | 1 x 9 x 12         | 120-3/8 x 1 1/4 BFH        |
| 1100; 1100E                                      | WL2409             | 22        | 1 1/8 x 10 x 12    | 132-3/8 x 1 1/2 FHS        |
| 1500; 1500RE                                     | WL2436             | 24        | 1 1/4 x 11 x 12    | 144-3/8 x 1 1/2 FHS        |
| 2100; 2100E; 3000E                               | WL2484             | 26        | 1 1/4 x 12 x 12    | 156-3/8 x 1 1/2 FHS        |
| SAND REEL  |                    |           |                    |                            |
| 500; 700; 800; 1100; 1500; 1500RE;<br>2100; 3000 | WL2043             | 14        | 3/4 x 6 x 12       | 84-3/8 x 1 1/4 BFH         |
| <b>GOT 29 SPECIAL</b>                            |                    |           |                    |                            |
| 29 x 6   | WL2490             | 12        | 3/4 x 6 x 11       | 48-3/8 x 1 1/4 BFH         |
| <b>HOPPER HOIST</b>                              |                    |           |                    |                            |
| MAIN DRUM  |                    |           |                    |                            |
| IG thru S/N 123                                  | WL2193             | 16        | 3/4 x 8 x 12       | 64-3/8 x 1 1/4 BFH         |
| IG S/N 124 & Up                                  |                    |           |                    |                            |
| Sand Drum for IGS/N 124 & Up; IGX                | WL2193             | 18        | 3/4 x 8 x 12       | 72-3/8 x 1 1/4 BFH         |
|  | WL2996             | 2         | 1 x 9 x 5 1/4      |                            |
| G thru S/N 127; IGX                              | WL2295             | 16        | 1 x 9 x 12         | 68-3/8 x 1 1/4 BFH         |
| G S/N 128 & Up                                   | WL2295             | 20        | 1 x 9 x 12         | 80-3/8 x 1 1/4 BFH         |
| IGT  | WL2415             | 20        | 1 x 10 x 12        | 100-3/8 x 1 1/4 BFH        |
| GXXTA; GX10;                                     | WL2418             | 2         | 1 x 10 x 6         |                            |
| Sand Drum for GXH; GX; RTA                       | WL2415             | 20        | 1 x 10 x 12        | 104-3/8 x 1 1/4 BFH        |
|  | WL2468             | 2         | 1 1/8 x 12 x 6     |                            |
| GXHTA; GXH; GX12 Wide                            | WL2469             | 20        | 1 1/8 x 12 x 12    | 168-3/8 x 1 1/2 FHS        |
|  | WL2415             | 16        | 1 x 10 x 12        | 104-3/8 x 1 1/4 BFH        |
| GX10 with 10-6" Blocks                           | WL2418             | 10        | 1 x 10 x 6         |                            |
|  | WL2469             | 6         | 1 1/8 x 12 x 12    |                            |
|  | WL2478             | 20        | 1 1/8 x 6 x 12     |                            |
|  | ML2478             | 8         | 1 1/8 x 6 x 12     |                            |
| GX SPECIAL 12" SPLIT                             | ML2481             | 4         | 1 1/8 x 6 x 6      | 168-3/8 x 1 1/2 FHS        |
|  | WL2368             | 2         | 1 1/8 x 10 x 2 1/2 |                            |
| RTA  | WL2370             | 22        | 1 1/8 x 10 x 12    | 114-3/8 x 1 1/2 FHS        |
| MTA  | WL2379             | 20        | 1 1/4 x 10 x 12    | 100-3/8 x 1 1/2 FHS        |
| M  | WL2379             | 24        | 1 1/4 x 10 x 12    | 120-3/8 x 1 1/2 FHS        |
| SAND REEL  |                    |           |                    |                            |
| IG thru S/N 123                                  | WL2193             | 16        | 3/4 x 8 x 12       | 64-3/8 x 1 1/4 BFH         |
| G thru S/N 145                                   |                    |           |                    |                            |
| M thru S/N 107                                   |                    |           |                    |                            |
| G S/N 146 & Up                                   | WL2193             | 20        | 3/4 x 8 x 12       | 80-3/8 x 1 1/4 BFH         |
| M S/N 107 & Up                                   |                    |           |                    |                            |
| <b>HOUSTON SYSTEMS</b>                           |                    |           |                    |                            |
| 1500 E   | WL2346             | 18        | 1 1/4 x 9 3/4 x 12 | 108-3/8 x 1 1/2 FHS        |
| <b>HYCALOG</b>                                   |                    |           |                    |                            |
| HH 6000  | WL2211             | 20        | 1 x 8 x 12         | 80-3/8 x 1 1/4 BFH         |

## WOVEN AND MOLDED NON-ASBESTOS BLOCKS FOR DRAWWORKS

| DRAWWORKS<br>MANUFACTURER & MODEL  | TFM/SP<br>PART NO. | NO<br>PCS | SIZE            | QTY.-SIZE &<br>TYPE SCREWS |
|--|--------------------|-----------|-----------------|----------------------------|
| <b>IDECO</b>   |                    |           |                 |                            |
| <b>Ingersoll Rand IRI</b>  |                    |           |                 |                            |
| H-20; M-20; H-20-C   | WL2115             | 16        | 3/4 x 7 x 12    | 64-3/8 x 1 1/4 BFH         |
| 4050; 5060; S.W.700; S.W.7000-A;<br>Service Winches, & SU-7000 SWAB Unit   | WL2193             | 16        | 3/4 x 8 x 12    | 64-3/8 x 1 1/4 BFH         |
| SW10000; SW10000-A; Service Winch;<br>SWAB Unit; PR-150-B; PR-600;<br>TC-600; H-25; M-25; H-30   | WL2193             | 18        | 3/4 x 8 x 12    | 72-3/8 x 1 1/4 BFH         |
| 6070; 7080SW; 15000SW; 15000-A<br>Service Winch SU 15000 SWAB Unit;<br>PR150A; H-35 & M-35; S/N 51-263   | WL2193             | 20        | 3/4 x 8 x 12    | 80-3/8 x 1 1/4 BFH         |
| H-25; H-25-C; M-25 S/N 518,<br>524 & Up; H-30-C S/N 80, 82 & Up  | WL2196             | 18        | 1 x 8 x 12      | 72-3/8 x 1 1/4 BFH         |
| H-35-C, S/N 192 & Up; H-40; H-525<br>H-725; H, M & Super 750   | WL2196             | 20        | 1 x 8 x 12      | 80-3/8 x 1 1/4 BFH         |
| H-35-C Air Cooled; H-35 S/N 304 & Up,<br>H-35-K; H-37-E; H-35-D: BIR 3085  | WL2421             | 20        | 1 x 10 x 12     | 80-3/8 x 1 1/4 BFH         |
| LUCKY 7-11; 900; ED-900; E-900; H; M<br>PR-800; M-10000; H-700; H-7-11   | WL2223             | 22        | 1 1/4 x 8 x 12  | 132-3/8 x 1 1/2 FHS        |
| LITTLE GIANT   | WL2424             | 18        | 1 1/4 x 10 x 12 | 72-3/8 x 1 1/2 FHS         |
| PR-1050; Jr. Giant 10263 Super Duty;<br>7-11; 1200; Super 7-11 to S/N 178  | WL2424             | 20        | 1 1/4 x 10 x 12 | 80-3/8 x 1 1/2 FHS         |
| H-1000; PR-1350; 1350-S; 1350-ST;<br>Big Giant H; M; E-2500, S/N 153-156,<br>161-163   | WL2424             | 22        | 1 1/4 x 10 x 12 | 88-3/8 x 1 1/2 FHS         |
| PR-1000  | WL2424             | 24        | 1 1/4 x 10 x 12 | 96-3/8 x 1 1/2 FHS         |
| Super 7-11 S/N 179 & Up; H-1700;<br>E-1700   | WL2427             | 24        | 1 1/4 x 10 x 12 | 144-3/8 x 1 1/2 FHS        |
| H, M & E-2100; H, M & E-2500<br>S/N 151, 152, 156, 160, 164 & Up   | WL2427             | 26        | 1 1/4 x 10 x 12 | 156-3/8 x 1 1/2 FHS        |
| H-44-C   | WL2439             | 20        | 1 1/8 x 11 x 12 | 120-3/8 x 1 1/2 FHS        |
| E-3000   | WL2487             | 30        | 1 1/4 x 12 x 12 | 180-3/8 x 1 1/2 FHS        |
| <b>SAND REEL</b>   |                    |           |                 |                            |
| H-20 (Optional)  | WL2022             | 16        | 3/4 x 5 x 12    | 64-3/8 x 1 1/4 BFH         |
| H-20; H-20-C; M-20; H-25-C; D, F,<br>H-30-C; D & F H-35-F; Lucky 7-11; Jr.<br>Super 7-11; 900; 1200  | WL2115             | 16        | 3/4 x 7 x 12    | 64-3/8 x 1 1/4 BFH         |
| H-25-A; M-25; H-25-C 38" Brakes;<br>H-30-A; H-30-C 38" Brakes; H-35;<br>H-35-C 38" Brakes; H-35-K; H-37-E;<br>H-40; H-40-C; H-44-C; H-525; H, M,<br>Super 750; H-700; H-711; Super 7-11 H;<br>E-1700 | WL2193             | 18        | 3/4 x 8 x 12    | 72-3/8 x 1 1/4 BFH         |
| H-35-DD; H, M & E-2100; H, M<br>& E-2500   | WL2193             | 20        | 3/4 x 8 x 12    | 80-3/8 x 1 1/4 BFH         |
| E-3000   | WL2196             | 20        | 1 x 8 x 12      | 80-3/8 x 1 1/4 BFH         |
| <b>KIN RIG</b>   |                    |           |                 |                            |
| 26 x 8   | WL2194             | 6         | 3/4 x 8 x 12    | 96-3/8 x 1 1/4 BFH         |
| 32 x 8   | WL2256             | 16        | 1 x 8 x 12      | 96-3/8 x 1 1/4 BFH         |
| 38 x 10  | WL2397             | 18        | 1 x 10 x 12     | 108-3/8 x 1 1/4 BFH        |

## WOVEN AND MOLDED NON-ASBESTOS BLOCKS FOR DRAWWORKS

| DRAWWORKS<br>MANUFACTURER & MODEL                   | TFM/SP<br>PART NO. | NO<br>PCS | SIZE                | QTY.-SIZE &<br>TYPE SCREWS |
|---|--------------------|-----------|---------------------|----------------------------|
| <b>KREMCO-DRECO</b>                                 |                    |           |                     |                            |
| MAIN DRUM   |                    |           |                     |                            |
| K-200   | WL2142             | 16        | 3/4 x 7 x 10 3/4    | 64-3/8 x 1 1/4 BFH         |
| K-300   | WL2115             | 16        | 3/4 x 7 x 12        | 64-3/8 x 1 1/4 BFH         |
| K-400   | WL2193             | 18        | 3/4 x 8 x 12        | 72-3/8 x 1 1/4 BFH         |
| K-600; K-600-D; K-600-H; K-600-T;<br>K-650; K-650-T | WL2398             | 20        | 1 x 10 x 12         | 80-3/8 x 1 1/4 BFH         |
| K-750; K-750-T                                      | WL2439             | 20        | 1 1/8 x 11 x 12     | 120-3/8 x 1 1/2 FHS        |
| K-1000  | WL2439             | 18        | 1 1/8 x 11 x 12     | 108-3/8 x 1 1/2 FHS        |
| SAND REEL   |                    |           |                     |                            |
| K-200   | WL2142             | 16        | 3/4 x 7 x 10 3/4    | 64-3/8 x 1 1/4 BFH         |
| K-300; K-400  | WL2115             | 16        | 3/4 x 7 x 12        | 64-3/8 x 1 1/4 BFH         |
| K-600; K-600-D; K-600-H; K-600-T;<br>K-650; K-650-T | WL2193             | 18        | 3/4 x 8 x 12        | 72-3/8 x 1 1/4 BFH         |
| K-750; K-750-T                                      | WL2193             | 20        | 3/4 x 8 x 12        | 80-3/8 x 1 1/4 BFH         |
| <b>LEE ENGINEERING</b>                              |                    |           |                     |                            |
| MAIN DRUM   |                    |           |                     |                            |
| 38 x 8  | WL2196             | 18        | 1 x 8 x 12          | 72-3/8 x 1 1/4 BFH         |
| 48 x 8  | WL2196             | 20        | 1 x 8 x 12          | 80-3/8 x 1 1/4 BFH         |
| 42 x 10   | WL2397             | 20        | 1 x 10 x 12         | 120-3/8 x 1 1/4 BFH        |
| <b>MAC</b>  |                    |           |                     |                            |
| 300,400   | WL2142             | 20        | 3/4 x 7 x 10 3/4    | 80-3/8 x 1 1/4 BFH         |
| <b>MAINLAND</b>                                     |                    |           |                     |                            |
| M-320   | WL2106A            | 18        | 3/4 x 7 x 10 1/2    | 90-5/16 x 1 1/4 BFH        |
| M-360   | WL2261             | 18        | 1 x 8 x 10 29/32    | 90-5/16 x 1 1/4 BFH        |
| M-400   | WL2385             | 20        | 1 x 10 x 10 15/16   | 100-5/16 x 1 1/4 BFA       |
| <b>MESA MFG.</b>                                    |                    |           |                     |                            |
| MAIN DRUM   |                    |           |                     |                            |
| 350   | WL2400             | 20        | 1 x 10 x 12         | 164-5/16 x 1 1/4 BFH       |
|   | WL2406             | 2         | 1 x 10 x 3          |                            |
|   | WL2217             | 20        | 1 x 8 x 12          |                            |
| SWAB UNIT   | WL2493             | 2         | 1 x 8 x 3           | 164-5/16 x 1 1/4 BFH       |
|   | 1500               | WL2349    | 20                  |                            |
| SAND REEL   |                    |           |                     |                            |
| 350   | WL2217             | 20        | 1 x 8 x 12          | 164-5/16 x 1 1/4 BFH       |
|   | WL2493             | 2         | 1 x 8 x 3           |                            |
| NOTE  | WL2400             | 10        | 1 x 10 x 12         | 82-5/16 x 1 1/4 BFH        |
| SAND REELS with (1) One Band                        | WL2406             | 1         | 1 x 10 x 3          |                            |
| <b>MID-CONTINENT/UNIT RIG</b>                       |                    |           |                     |                            |
| MAIN DRUM   |                    |           |                     |                            |
| U-34; U-34-D; U-34-E; U-24                          | WL2142             | 20        | 3/4 x 7 x 10 3/4    | 80-3/8 x 1 1/4 BFH         |
| U-40  | WL2334             | 18        | 1 1/8 x 10 x 12     | 72-3/8 x 1 1/2 FHS         |
| (1) U-15; U-35; U-36; U-22; U-10                    | WL2334 (4)         | 20        | 1 1/8 x 10 x 12     | 80-3/8 x 1 1/2 FHS         |
| S/N 80 & Up; U-36-A; U-36-EA (4 Hole)               |                    |           |                     |                            |
| (1) U-15; U-35; U-36; U-22; U-10;                   | WL2412 (6)         | 20        | 1 1/8 x 10 x 12     | 120-3/8 x 1 1/2 FHS        |
| S/N 80 & Up; U-36-A; U-36-EA (6 Hole)               |                    |           |                     |                            |
| U-20  | WL2340 (6)         | 20        | 1 1/4 x 10 x 12     | 3/4 120-3/8 x 1 1/2 FHS    |
| U-712-A; U-712-EA                                   | WL2433 (6)         | 22        | 1 1/4 x 10 x 11 1/2 | 132-3/8 x 1 1/2 FHS        |

## WOVEN AND MOLDED NON-ASBESTOS BLOCKS FOR DRAWWORKS

| DRAWWORKS<br>MANUFACTURER & MODEL                            | TFM/SP<br>PART NO. | NO<br>PCS | SIZE                  | QTY.-SIZE &<br>TYPE SCREWS |
|--|--------------------|-----------|-----------------------|----------------------------|
| <b>MID-CONTINENT/UNIT RIG</b>                                |                    |           |                       |                            |
| <b>MAIN DRUM</b>   |                    |           |                       |                            |
| U-914-A,B,C, U-914-EC  | WL2340 (6)         | 22        | 1 1/4 x 10 x 12 3/4   | 132-3/8 x 1 1/2 FHS        |
| U-30; U-1220-A; U-1220-B; U-1220-EB                          | WL2430 (6)         | 28        | 1 1/4 x 10 x 12       | 168-3/8 x 1 1/2 FHS        |
| <b>SAND REEL</b>   |                    |           |                       |                            |
| U-34   | WL2142             | 20        | 3/4 x 7 x 10 3/4      | 80-3/8 x 1 1/4 BFH         |
| U-15; U-36; U-40   | WL2142             | 10        | 3/4 x 7 x 10 3/4      | 40-3/8 x 1 1/4 BFH         |
| U-20; U-35   | WL2334             | 10        | 1 1/8 x 10 x 12       | 40-3/8 x 1 1/2 FHS         |
| U-712-A; U-914-A   | WL2142             | 18        | 3/4 x 7 x 10 3/4      | 72-3/8 x 1 1/4 BFH         |
| U-1220-A   | WL2334             | 18        | 1 1/8 x 10 x 12       | 72-3/8 x 1 1/2 FHS         |
| <hr/>  |                    |           |                       |                            |
| <b>MID-WAY MFG.</b>  |                    |           |                       |                            |
| <b>MAIN DRUM</b>   |                    |           |                       |                            |
| 46 x 12  | WL2463             | 22        | 1 1/8 x 12 x 12       | 132-3/8 x 1 1/2 FHS        |
| 42 x 8   | WL2247             | 20        | 1 1/8 x 8 x 12        | 120-3/8 x 1 1/2 FHS        |
| M-210-D; M-280-D; 42 x 10                                    | WL2409             | 20        | 1 1/8 x 10 x 12       | 120-3/8 x 1 1/2 FHS        |
| <hr/>  |                    |           |                       |                            |
| <b>MOLLER MFG.</b>   |                    |           |                       |                            |
| <b>MAIN DRUM</b>   |                    |           |                       |                            |
| D-322  | WL2256             | 18        | 1 x 8 x 12            | 96-3/8 x 1 1/4 BFH         |
| D-401; D-402; S-400; D-402-H (42")                           | WL2409             | 20        | 1 1/8 x 10 x 12       | 120-3/8 x 1 1/2 FHS        |
| <hr/>  |                    |           |                       |                            |
| <b>MOUNTAIN RIG</b>  |                    |           |                       |                            |
| <b>MAIN DRUM</b>   |                    |           |                       |                            |
| 150  | WL2193             | 16        | 3/4 x 8 x 12          | 64-3/8 x 1 1/4 BHS         |
| 250 (38" NEW RIG)  | WL2394 (6)         | 18        | 1 x 10 x 12           | 72-3/8 x 1 1/4 BHS         |
| 350 (42" NEW RIG)  | WL2394 (6)         | 20        | 1 x 10 x 12           | 80-3/8 x 1 1/4 BHS         |
| 550, 750, 1250   | WL2463             | 20        | 1 1/8 x 12 x 12       | 120-3/8 x 1 1/2 FHS        |
| <b>SAND REEL</b>   |                    |           |                       |                            |
| 250, 350   | WL2196             | 18        | 1 x 8 x 12            | 72-3/8 x 1 1/4 BFH         |
| 550, 750   | WL2196             | 20        | 1 x 8 x 12            | 80-3/8 x 1 1/4 BFH         |
| <hr/>  |                    |           |                       |                            |
| <b>NATIONAL OILWELL</b>                                      |                    |           |                       |                            |
| <b>MAIN DRUM</b>   |                    |           |                       |                            |
| T-8, T-8-S   | WL2076             | 14        | 3/4 x 6 1/2 x 11 1/2  | 56-3/8 x 1 1/4 BFH         |
| T-12; T-16; T-20; T-20-S: 200; 250                           | WL2154             | 16        | 3/4 x 7 1/2 x 11      | 64-3/8 x 1 1/4 BFH         |
| T-12 S/N 1513 & Up; T-12-S                                   | WL2154             | 18        | 3/4 x 7 1/2 x 11      | 72-3/8 x 1 1/4 BFH         |
| Type 30 & 40   | WL2226             | 18        | 3/4 x 8 x 11 1/2      | 72-3/8 x 1 1/4 BFH         |
| 300; 300-B   | WL2160             | 20        | 1 x 7 1/2 x 11 1/4    | 80-3/8 x 1 1/4 BFH         |
| 6 Hole Drill T-25; T-32; T-45; H-4-10;<br>50; 50-A;          | WL2232 (6)         |           |                       |                            |
| 370; 55; 55-P; 610; 610-E; K-42 Brake                        |                    | 18        | 1 1/8 x 8 x 11 1/2    | 108-3/8 x 1 1/2 FHS        |
| 75; 75-CA; 75-CB; 80; 80-B; 80-E; 80-UE                      |                    |           |                       |                            |
| K-46 Brake   | WL2346 (6)         | 18        | 1 1/4 x 9 3/4 x 12    | 108-3/8 x 1 1/2 FHS        |
| 110; 110-UE; K-50 Brake                                      | WL2349             | 20        | 1 1/4 x 9 3/4 x 12    | 120-3/8 x 1 1/2 FHS        |
| 100; 125; 130; 1320-DE; 1320-M; 1320-UE                      | WL2355 (6)         | 20        | 1 1/4 x 9 3/4 x 13    | 120-3/8 x 1 1/2 FHS        |
| 34-10-FE; K-54 Brake   | WL2367             | 2         | 1 1/4 x 9 3/4 x 2 1/2 | (124 with wiper block)     |
| 160; 1625; 1625-M; 1625-DE; 33-62-FE;<br>34-62FE; K-62 Brake | WL2355             | 24        | 1 1/4 x 9 3/4 x 13    | 144-38 x 1 1/2 FHS         |

## WOVEN AND MOLDED NON-ASBESTOS BLOCKS FOR DRAWWORKS

| <b>DRAWWORKS<br/>MANUFACTURER &amp; MODEL</b> | <b>TFM/SP<br/>PART NO.</b> | <b>NO<br/>PCS</b> | <b>SIZE</b>          | <b>QTY.-SIZE &amp;<br/>TYPE SCREWS</b> |
|---|----------------------------|-------------------|----------------------|--|
| <b>NATIONAL OILWELL</b>                       |                            |                   |                      |  |
| <b>MAIN DRUM</b>                              |                            |                   |                      |  |
| Mobile Rig SCR 600                            | WL2409                     | 20                | 1 1/8 x 10 x 12      | 120-3/8 x 1 1/2 FHS                    |
| 400   | WL2409                     | 16                | 1 1/8 x 10 x 12      | 96-3/8 x 1 1/2 FHS                     |
| 1625 DBE (Disc Brake)                         | MD103-425                  | 8                 | Disc Pad             | Service Caliper                        |
|   | MD103-425                  | 4                 | Disc Pad             | Emergency Caliper                      |
| <b>SAND REEL</b>                              |                            |                   |                      |  |
| T-20-S; T-32-S; T-45; H-4-10                  | WL2154                     | 16                | 3/4 x 7 1/2 x 11     | 64-3/8 x 1 1/4 BFH                     |
| T-8-S; T-12-S; 200; 250                       | WL2076                     | 14                | 3/4 x 6 1/2 x 11 1/2 | 56-3/8 x 1 1/4 BFH                     |
| T-16; T-20; T-25; T-32                        | WL2159                     | 16                | 3/4 x 7 1/2 x 11 1/4 | 64-3/8 x 1 1/4 BFH                     |
| Type 40 & 50                                  | WL2163                     | 14                | 3/4 x 7 1/2 x 11 1/2 | 56-3/8 x 1 1/4 BFH                     |
| 125; 130; 1320-DE; 1625-M; 1625-DE            | WL2226                     | 18                | 3/4 x 8 x 11 1/2     | 72-3/8 x 1 1/4 BFH                     |
| 50-A; 55; C-75; 75-CA; 75-CB; 80;             |                            |                   |                      |  |
| 80-B; 100; 110-UE; 610; 370 A 38; 610-E       | WL2166                     | 16                | 3/4 x 7 1/2 x 12     | 64-3/8 x 1 1/4 BFH                     |
| 300; 300-B                                    | WL2160                     | 20                | 1 x 7 1/2 x 11 1/4   | 80-3/8 x 1 1/4 BFH                     |
| <b>O.I.L.</b>                                 |                            |                   |                      |  |
| OIL-1200                                      | WL2334                     | 22                | 1 1/8 x 10 x 12      | 110-3/8 x 1 1/2 FHS                    |
| <b>OILWELL</b>                                |                            |                   |                      |  |
| <b>NATIONAL OILWELL</b>                       |                            |                   |                      |  |
| <b>MAIN DRUM</b>                              |                            |                   |                      |  |
| 500   | WL2196                     | 16                | 1 x 8 x 12           | 64-3/8 x 1 1/4 BFH                     |
|   |                            |                   |                      | 56-3/8 x 1 1/4 BFH                     |
| 52-T  | WL2235                     | 16                | 1 x 8 x 12 1/2       | 8-3/8 x 2 BFH                          |
| 660, 700; 660-E                               | WL2248                     | 18                | 1 1/8 x 8 x 12       | 108-3/8 x 1 1/2 FHS                    |
|   |                            |                   |                      | 68-3/8 x 1 1/2 FHS                     |
| 66; 63-T                                      | WL2241                     | 20                | 1 1/8 x 8 x 12 1/2   | 12-3/8 x 2 FHS                         |
|   |                            |                   |                      | 60-3/8 x 1 1/2 FHS                     |
| 76; 760                                       | WL2424                     | 20                | 1 1/4 x 10 x 12      | 20-3/8 x 2 FHS                         |
|   |                            |                   |                      | 60-3/8 x 1 1/2 FHS                     |
| 740E (4 Hole)                                 | WL2424                     | 20                | 1 1/4 x 10 x 12      | 20-3/8 x 2 FHS                         |
|   |                            |                   |                      | 100-3/8 x 1 1/2 FHS                    |
| 740E (6 Hole)                                 | WL2430                     | 20                | 1 1/4 x 10 x 12      | 20-3/8 x 2 FHS                         |
| E-1400  | WL2427                     | 22                | 1 1/4 x 10 x 12      | 132-3/8 x 1 1/2 FHS                    |
|   |                            |                   |                      | 136-3/8 x 1 1/2 FHS                    |
| E-2000; M-2000                                | WL2427                     | 26                | 1 1/4 x 10 x 12      | 20-3/8 x 2 FHS                         |
|   |                            |                   |                      | 112-3/8 x 1 1/2 FHS                    |
| 840, 860-E, 840E                              | WL2358                     | 22                | 1 1/4 x 10 x 12      | 20-3/8 x 2 FHS                         |
|   |                            |                   |                      | 94-3/8 x 1 1/2 FHS                     |
| 940-E; 96                                     | WL2442                     | 24                | 1 1/4 x 11 x 12      | 26-3/8 x 2 FHS                         |
| E-3000; M-3000                                | WL2487                     | 28                | 1 1/4 x 12 x 12      | 168-3/8 x 1 1/2 FHS                    |
| <b>SAND REEL</b>                              |                            |                   |                      |  |
| 52-T; 63-T; 66; 660; 860; E-2000;             |                            |                   |                      | 60-3/8 x 1 1/4 BFH                     |
| ME-2000; 3000                                 | WL2172                     | 16                | 3/4 x 7 x 11 1/2     | 4-3/8 x 1 1/2 BFH                      |
| 76  | WL2118                     | 14                | 3/4 x 7 x 12         | 56-3/8 x 1 1/4 BFH                     |
| 96  | WL2193                     | 14                | 3/4 x 8 x 12         | 56-3/8 x 1 1/4 BFH                     |



## WOVEN AND MOLDED NON-ASBESTOS BLOCKS FOR DRAWWORKS

| DRAWWORKS<br>MANUFACTURER & MODEL            | TFM/SP<br>PART NO. | NO<br>PCS | SIZE                | QTY.-SIZE &<br>TYPE SCREWS |
|--|--------------------|-----------|---------------------|----------------------------|
| <b>OILFIELD INDUSTRIES MFG. &amp; ENGRG.</b> |                    |           |                     |                            |
| <b>OIME - Parker Technology - "Partech"</b>  |                    |           |                     |                            |
| <b>MAIN DRUM</b>                             |                    |           |                     |                            |
| 500  | WL2247             | 20        | 1 1/8 x 8 x 12      | 80-3/8 x 1 1/2 FHS         |
| SL-750; SL-5                                 | WL2379             | 16        | 1 1/4 x 10 x 12     | 80-3/8 x 1 1/2 FHS         |
| SL-1000; 950; SL-7                           | WL2379             | 18        | 1 1/4 x 10 x 12     | 90-3/8 x 1 1/2 FHS         |
| SL-1500; SL-1250; 1250; 2000                 | WL2460             | 18        | 1 1/4 x 12 x 12     | 90-3/8 x 1 1/2 FHS         |
| 2500 Hercules; 3000 Hercules                 | WL2460             | 22        | 1 1/4 x 12 x 12     | 110-3/8 x 1 1/2 FHS        |
| <b>PARKER</b>                                |                    |           |                     |                            |
| IBA-2000                                     | WL2457             | 20        | 1 1/4 x 12 x 12     | 100-3/8 x 1 1/2 FHS        |
| <b>PEMCO "HOSS"</b>                          |                    |           |                     |                            |
| <b>MAIN DRUM</b>                             |                    |           |                     |                            |
| 1015   | WL2403             | 2         | 1 x 10 x 6          | 16-5/16 x 1 1/4 BFH        |
|  | WL2400             | 20        | 1 x 10 x 12         | 152-5/16 x 1 1/8 BFH       |
| 1220   | WL2475             | 2         | 1 1/8 x 12 x 6      | 16-5/16 x 1 1/2 BFH        |
|  | WL2466             | 20        | 1 1/8 x 12 x 12     | 152-5/16 x 1 1/4 BFH       |
| <b>SAND REEL</b>                             |                    |           |                     |                            |
| 1015; 1220                                   | WL2475             | 1         | 1 1/8 x 12 x 6      | 8-5/16 x 1 1/2 BFH         |
|  | WL2466             | 10        | 1 1/8 x 12 x 12     | 76-5/16 x 1 1/4 BFH        |
| <b>POOL</b>                                  |                    |           |                     |                            |
| <b>MAIN DRUM</b>                             |                    |           |                     |                            |
| 750  | WL2379             | 16        | 1 1/4 x 10 x 12     | 80-3/8 x 1 1/2 FHS         |
| 1500   | WL2460             | 18        | 1 1/4 x 12 x 12     | 90-3/8 x 1 1/2 FHS         |
| 300; 400                                     | WL2511             | 20        | 1 1/8 x 10 x 12     | 180-3/8 x 1 1/2 BFH        |
| <b>SAND REEL</b>                             |                    |           |                     |                            |
| 750  | WL2398             | 8         | 1 x 10 x 12         | 32-3/8 x 1 1/4 BFH         |
|  |                    |           |                     | 84-3/8 x 1 1/4 BFH         |
| 300; 400                                     | WL2289             | 22        | 1 x 8 x 10 1/8      | 48-3/8 x 2 BFH             |
| <b>RIG EQUIPMENT MFG.</b>                    |                    |           |                     |                            |
| RMI 4210                                     | WL2370             | 20        | 1 1/8 x 10 x 12     | 100-3/8 x 1 1/2 FHS        |
| RMI 1000; 4610                               | WL2370             | 22        | 1 1/8 x 10 x 12     | 110-3/8 x 1 1/2 FHS        |
| <b>SANDLINE</b>                              |                    |           |                     |                            |
| 38 x 8                                       | WL2247             | 18        | 1 1/8 x 8 x 12      | 72-3/8 x 1 1/2 FHS         |
| <b>SEA COAST</b>                             |                    |           |                     |                            |
| <b>MAIN DRUM</b>                             |                    |           |                     |                            |
| 750-2-S; 750-4-S; 1000                       | WL2433             | 18        | 1 1/4 x 10 x 11 1/2 | 108-3/8 x 1 1/2 FHS        |
| <b>SHAFFER</b>                               |                    |           |                     |                            |
| SO 6000-5                                    | WL2154             | 24        | 3/4 x 7 1/2 x 11    | 96-3/8 x 1 1/4 BFH         |
| SC 8000                                      | WL2370             | 22        | 1 1/8 x 10 x 12     | 110-3/8 x 1 1/2 FHS        |
| <b>SKYTOP - See BREWSTER-SKYTOP</b>          |                    |           |                     |                            |

## WOVEN AND MOLDED NON-ASBESTOS BLOCKS FOR DRAWWORKS

| DRAWWORKS<br>MANUFACTURER & MODEL  | TFM/SP<br>PART NO. | NO<br>PCS | SIZE               | QTY.-SIZE &<br>TYPE SCREWS |
|--|--------------------|-----------|--------------------|----------------------------|
| <b>SPENCER-HARRIS</b>  |                    |           |                    |                            |
| 3500   | WL2037             | 16        | 3/4 x 6 x 12       | 64-3/8 x 1 1/4 BFH         |
| 5000; 6000   | WL2193             | 18        | 3/4 x 8 x 12       | 72-3/8 x 1 1/4 BFH         |
| 7000   | WL2193             | 20        | 3/4 x 8 x 12       | 80-3/8 x 1 1/4 BFH         |
| <b>SULLIVAN</b>  |                    |           |                    |                            |
| 200  | WL2004             | 48        | 3/8 x 4 x 3 1/8    | 96-1/4 x 3/4 BFH           |
| 300  | WL2250             | 14        | 5/8 x 8 x 11       | 56-3/8 x 1 1/4 BFH         |
| <b>SUPERIOR OILFIELD SERVICE</b>   |                    |           |                    |                            |
| 200 PSD  | WL2196             | 8         | 1 x 8 x 12         | 72-3/8 x 1 1/4 BFH         |
| 300 PSD, 400 PSD, 500 PSD,<br>700 PSD, 700 M, 700 UE   | WL2196             | 18        | 1 x 8 x 12         | 72-3/8 x 1 1/4 BFH         |
| 1000 E, 1000 M, 1000 UE  | WL2346             | 18        | 1 1/4 x 9 3/4 x 12 | 108-3/8 x 1 1/2 FHS        |
| 2000 E, 2000 M   | WL2355             | 20        | 1 1/4 x 9 3/4 x 13 | 120-3/8 x 1 1/2 FHS        |
| <b>SAND REEL</b>   |                    |           |                    |                            |
| 200 PSD, 300 PSD, 400 PSD  | WL2193             | 16        | 3/4 x 8 x 12       | 64-3/8 x 1 1/4 BFH         |
| 500 PSD, 700 PSD, 700 M, 700 UE,<br>1000 E, 1000 M, 1000 UE  | WL2193             | 18        | 3/4 x 8 x 12       | 72-3/8 x 1 1/4 BFH         |
| <b>TAYLOR RIGS</b>   |                    |           |                    |                            |
| 38 x 8   | WL2196             | 18        | 1 x 8 x 12         | 72-3/8 x 1 1/4 BFH         |
| 38 x 10  | WL2397             | 18        | 1 x 10 x 12        | 108-3/8 x 1 1/4 BFH        |
| 42 x 12  | WL2463             | 20        | 1 1/8 x 12 x 12    | 120-3/8 x 1 1/2 FHS        |
| <b>TEXAS FLANGE INC.</b>   |                    |           |                    |                            |
| <b>MAIN DRUM</b>   |                    |           |                    |                            |
| T-500  | WL2232             | 18        | 1 1/8 x 8 x 11 1/2 | 108-3/8 x 1 1/2 FHS        |
| T-1000   | WL2346             | 18        | 1 1/4 x 9 3/4 x 12 | 108-3/8 x 1 1/2 FHS        |
| <b>TRI SERVICE MACHINE</b>   |                    |           |                    |                            |
| TSM-6000   | WL2193             | 18        | 3/4 x 8 x 12       | 72-3/8 x 1 1/4 BFH         |
| <b>TROY</b>  |                    |           |                    |                            |
| 400  | WL2196             | 18        | 1 x 8 x 12         | 72-3/8 x 1 1/4 BFH         |
| 500, 600   | WL2196             | 20        | 1 x 8 x 12         | 80-3/8 x 1 1/2 BFH         |
| <b>UNIFLEX</b>   |                    |           |                    |                            |
| 32 x 8   | WL2256             | 16        | 1 x 8 x 12         |                            |
| <b>WAGNER-MOREHOUSE</b>  |                    |           |                    |                            |
| L-1; L-2   | WL2514             | 14        | 1/2 x 6 x 9        | 56-3/8 x 1 1/4 BFH         |
| D-1; D-2; T-2-34   | WL2517             | 14        | 3/4 x 6 x 11 1/2   | 56-3/8 x 1 1/4 BFH         |
| D-2 (Optional Size)  | WL2520             | 22        | 1/2 x 6 x 11 1/2   | 88-3/8 x 1 1/4 BFH         |
| WM-2-Prod. Hoist; B-1; A-2-A   | WL2523             | 14        | 3/4 x 7 x 12       | 56-3/8 x 1 1/4 BFH         |
| M-41-B; M-41-A-2 Part No. 1461   | WL2528             | 16        | 1 x 8 x 12         | 64-3/8 x 1 1/4 BFH         |
| D-15-40-B  | WL2531             | 22        | 1 x 8 x 11 1/2     | 88-3/8 x 1 1/4 BFH         |
|  | WL2528             | 18        | 1 x 8 x 12         |                            |
| D-15-38-B  | WL2537             | 2         | 1 x 8 x 6          | 76-3/8 x 1 1/4 BFH         |
| T-3-44   | WL2531             | 18        | 1 x 8 x 11 1/2     | 72-3/8 x 1 1/4 BFH         |
| SAND REEL for WM-2 Prod. Hoist   | WL2523             | 8         | 3/4 x 7 x 12       | 32-3/8 x 1 1/4 BFH         |
| <b>WALKER-NEER</b>   |                    |           |                    |                            |
| Some drawworks with the same model number require different size and number of brake blocks than those listed in this catalog.<br>Please specify size when possible. |                    |           |                    |                            |
| S-32 Standard  |                    |           |                    | 92-3/16 x 3/4 BFH          |
| S-32 Bull Reel   | WL2013             | 16        | 1/2 x 4 x 9        | 4-3/16 x 1 1/4 BFH         |

## WOVEN AND MOLDED NON-ASBESTOS BLOCKS FOR DRAWWORKS

| DRAWWORKS<br>MANUFACTURER & MODEL | TFM/SP<br>PART NO. | NO<br>PCS | SIZE        | QTY.-SIZE &<br>TYPE SCREWS                |
|-----------------------------------|--------------------|-----------|-------------|---|
| <b>WALKER-NEER</b>                |                    |           |             |   |
| S-32 Calf Reel                    | WL2010             | 14        | 3/8 x 4 x 9 | 84-3/16 x 3/4 BFH                         |
| S-32 Sand Reel                    | WL2010             | 12        | 3/8 x 4 x 9 | 72-3/16 x 3/4 BFH                         |
| S-32 Special                      | WL2013             | 20        | 1/2 x 4 x 9 | 116-3/16 x 3/4 BFH                        |
| S-32 Bull Reel                    |                    |           |             | 4-3/16 x 1 1/4 BFH                        |
| S-32 Calf Reel                    | WL2010             | 14        | 3/8 x 4 x 9 | 84-3/16 x 3/4 BFH                         |
| S-32 Sand Reel                    | WL2010             | 14        | 3/8 x 4 x 9 | 84-3/16 x 3/4 BFH                         |
| S-33 Standard; C-34<br>Bull Reel  | WL2028             | 24        | 5/8 x 6 x 9 | 172-3/16 x 3/4 BFH<br>20-3/16 x 1 1/4 BFH |
| Calf Reel                         | WL2028             | 16        | 5/8 x 6 x 9 | 108-3/16 x 3/4 BFH<br>20-3/16 x 1 1/4 BFH |
| Sand Reel                         | WL2028             | 16        | 5/8 x 6 x 9 | 108-3/16 x 3/4 BFH<br>20-3/16 x 1 1/4 BFH |
| S-33 Super<br>Bull Reel           | WL2028             | 30        | 5/8 x 6 x 9 | 220-3/16 x 3/4 BFH<br>20-3/16 x 1 1/4 BFH |
| Calf Reel                         | WL2028             | 16        | 5/8 x 6 x 9 | 108-3/16 x 3/4 BFH<br>20-3/16 x 1 1/4 BFH |
| Sand Reel                         | WL2028             | 16        | 5/8 x 6 x 9 | 124-3/16 x 3/4 BFH<br>4-3/16 x 1 1/4 BFH  |
| S-43; S-43-A<br>Bull Reel         | WL2013             | 20        | 1/2 x 4 x 9 | 116-3/16 x 3/4 BFH<br>4-3/16 x 1 1/4 BFH  |
| Calf Reel                         | WL2027             | 12        | 3/8 x 6 x 9 | 76-3/16 x 3/4 BFH<br>20-3/16 x 1 1/4 BFH  |
| Sand Reel                         | WL2010             | 14        | 3/8 x 4 x 9 | 84-3/16 x 3/4 BFH                         |
| S-43 (57 Model)<br>Bull Reel      | WL2013             | 20        | 1/2 x 4 x 9 | 116-3/16 x 3/4 BFH<br>4-3/16 x 1 1/4 BFH  |
| Calf Reel                         | WL2027             | 12        | 3/8 x 6 x 9 | 76-3/16 x 3/4 BFH<br>20-3/16 x 1 1/4 BFH  |
| Sand Reel                         | WL2013             | 16        | 1/2 x 4 x 9 | 92-3/16 x 3/4 BFH<br>4-3/16 x 1 1/4 BFH   |
| S-46-A<br>Bull Reel               | WL2028             | 30        | 5/8 x 6 x 9 | 220-3/16 x 3/4 BFH<br>20-3/16 x 1 1/4 BFH |
| Calf Reel                         | WL2028             | 18        | 5/8 x 6 x 9 | 124-3/16 x 3/4 BFH<br>20-3/16 x 1 1/4 BFH |
| Sand Reel                         | WL2028             | 18        | 5/8 x 6 x 9 | 124-3/16 x 3/4 BFH<br>20-3/16 x 1 1/4 BFH |
| S-410; S-410-A<br>Bull Reel       | WL2028             | 30        | 5/8 x 6 x 9 | 220-3/16 x 3/4 BFH<br>20-3/16 x 1 1/4 BFH |
| Calf Reel                         | WL2180             | 18        | 1/2 x 8 x 9 | 132-3/16 x 3/4 BFH<br>30-3/16 x 1 1/4 BFH |
| Sand Reel                         | WL2028             | 18        | 5/8 x 6 x 9 | 124-3/16 x 3/4 BFH<br>20-3/16 x 1 1/4 BFH |
| C & P-22 Bull Reel                | WL2010             | 14        | 3/8 x 4 x 9 | 84-3/16 x 3/4 BFH                         |
| Sand Reel                         | WL2010             | 14        | 3/8 x 4 x 9 | 84-3/16 x 3/4 BFH                         |
| C & P-23<br>Bull Reel             | WL2028             | 16        | 5/8 x 6 x 9 | 96-3/16 x 3/4 BFH<br>30-3/16 x 1 1/4 BFH  |
| Sand Reel                         | WL2028             | 16        | 5/8 x 6 x 9 | 96-3/16 x 3/4 BFH<br>30-3/16 x 1 1/4 BFH  |
| C & P-25-A<br>Bull Reel           | WL2180             | 18        | 1/2 x 8 x 9 | 132-3/16 x 3/4 BFH<br>30-3/16 x 1 1/4 BFH |
| Sand Reel                         | WL2180             | 18        | 1/2 x 8 x 9 | 132-3/16 x 3/4 BFH<br>30-3/16 x 1 1/4 BFH |

## WOVEN AND MOLDED NON-ASBESTOS BLOCKS FOR DRAWWORKS

| <b>DRAWWORKS<br/>MANUFACTURER &amp; MODEL</b> | <b>TFM/SP<br/>PART NO.</b> | <b>NO<br/>PCS</b> | <b>SIZE</b>  | <b>QTY.-SIZE &amp;<br/>TYPE SCREWS</b> |
|---|----------------------------|-------------------|--------------|--|
| <b>WALKER-NEER</b>                            |                            |                   |              |  |
| C & P-28-A                                    |                            |                   |              | 172-3/16 x 3/4 BFH                     |
| Bull Reel                                     | WL2028                     | 24                | 5/8 x 6 x 9  | 20-3/16 x 1 1/4 BFH                    |
|   |                            |                   |              | 186-3/16 x 3/4 BFH                     |
| Sand Reel                                     | WL2253                     | 24                | 3/4 x 8 x 9  | 30-3/16 x 1 1/4 BFH                    |
| C-31  |                            |                   |              | 80-3/16 x 3/4 BFH                      |
| Bull Reel                                     | WL2013                     | 16                | 1/2 x 4 x 9  | 16-3/16 x 1 1/4 BFH                    |
| Calf Reel                                     | WL2010                     | 14                | 3/8 x 4 x 9  | 84-3/16 x 3/4 BFH                      |
|   | Undrilled                  |                   |              |  |
| Sand Reel                                     | Lining                     | 2                 | 1/4 x 3 x 51 | 64-3/16 x 3/4 BFH                      |
| C-32  |                            |                   |              | 76-3/16 x 3/4 BFH                      |
| Bull Reel                                     | WL2027                     | 12                | 3/8 x 6 x 9  | 20-3/16 x 1 1/4 BFH                    |
|   |                            |                   |              | 76-3/16 x 3/4 BFH                      |
| Calf Reel                                     | WL2027                     | 12                | 3/8 x 6 x 9  | 20-3/16 x 1 1/4 BFH                    |
| Sand Reel                                     | WL2010                     | 12                | 3/8 x 4 x 9  | 72-3/16 x 3/4 BFH                      |
| C-33  |                            |                   |              | 124-3/16 x 3/4 BFH                     |
| Bull Reel                                     | WL2028                     | 18                | 5/8 x 6 x 9  | 20-3/16 x 1 1/4 BFH                    |
|   |                            |                   |              | 76-3/16 x 3/4 BFH                      |
| Calf Reel                                     | WL2027                     | 12                | 3/8 x 6 x 9  | 20-3/16 x 1 1/4 BFH                    |
| Sand Reel                                     | WL2010                     | 14                | 3/8 x 4 x 9  | 84-3/16 x 3/4 BFH                      |
| C-34 same as S-33 (see S-33)                  |                            |                   |              |  |
| C-37 Special                                  |                            |                   |              | 210-3/16 x 3/4 BFH                     |
| Bull Reel                                     | WL2028                     | 30                | 5/8 x 6 x 9  | 30-3/16 x 1 1/4 BFH                    |
|   |                            |                   |              | 132-3/16 x 3/4 BFH                     |
| Calf Reel                                     | WL2180                     | 18                | 1/2 x 8 x 9  | 30-3/16 x 1 1/4 BFH                    |
|   |                            |                   |              | 124-3/16 x 3/4 BFH                     |
| Sand Reel                                     | WL2028                     | 18                | 5/8 x 6 x 9  | 20-3/16 x 1 1/4 BFH                    |
|   |                            |                   |              | 108-3/16 x 3/4 BFH                     |
| 2000  | WL2028                     | 16                | 5/8 x 6 x 9  | 20-3/16 x 1 1/4 BFH                    |
|   |                            |                   |              | 132-3/16 x 1 BFH                       |
| P-5000; R-3-A                                 | WL2253                     | 18                | 3/4 x 8 x 9  | 30-3/16 x 1 1/4 BFH                    |
| 250-40; 4210                                  | WL2397                     | 20                | 1 x 10 x 12  | 120-3/8 x 1 1/4 BFH                    |

### WICHTEX

Some drawworks with the same model number require different size and number of brake blocks than those listed in this catalog. Please specify size when possible.

|  |           |    |                 |                     |
|--|-----------|----|-----------------|---------------------|
| Model E-90 Bull Reel                     | WL2175    | 28 | 3/4 x 7 x 8 1/4 | 112-3/8 x 1 1/4 BFH |
| Model E-75 Bull Reel                     | WL2271    | 20 | 3/4 x 8 x 10    | 80-3/8 x 1 1/4 BFH  |
|  | Undrilled |    |                 |                     |
| Rod & Tube Reel                          | Lining    | 2  | 3/8 x 8 x 7'10" | 100-3/16 x 3/4 BFH  |
| E-90 Rod & Tube Machine: Rod & Tube Drum |           |    |                 |                     |
|  | WL2325    | 24 | 3/4 x 9 x 10    | 96-3/8 x 1 1/4 BFH  |
| E-75 Rod & Tube Drum                     | WL2271    | 24 | 3/4 x 8 x 10    | 96-3/8 x 1 1/4 BFH  |
| C-65 Std & Hvy Duty: Rod & Tube Drum     |           |    |                 |                     |
|  | Undrilled |    |                 |                     |
|  | Lining    | 2  | 3/8 x 8 x 7'10" | 100-3/16 x 3/4 BFH  |
| R-3 Rotary                               | WL2271    | 16 | 3/4 x 8 x 10    | 64-3/4 x 1 1/4 BFH  |
| R-4 Rotary                               | WL2271    | 18 | 3/4 x 8 x 10    | 72-3/8 x 1 1/4 BFH  |
| R-5 Rotary                               | WL2325    | 20 | 3/4 x 9 x 10    | 80-3/8 x 1 1/4 BFH  |
| R-6 Rotary                               | WL2325    | 24 | 3/4 x 9 x 10    | 96-3/8 x 1 1/4 BFH  |
| Sand Reel C-60                           | WL2088    | 20 | 5/8 x 6 x 8 1/4 | 80-3/8 x 1 1/4 BFH  |
| Sand Reel C-65                           | WL2274    | 18 | 5/8 x 8 x 10    | 72-3/8 x 1 1/4 BFH  |
| Sand Reel C-75                           | WL2274    | 22 | 5/8 x 8 x 10    | 80-3/8 x 1 1/4 BFH  |

## WOVEN AND MOLDED NON-ASBESTOS BLOCKS FOR DRAWWORKS

| DRAWWORKS<br>MANUFACTURER & MODEL            | TFM/SP<br>PART NO. | NO<br>PCS | SIZE                | QTY.-SIZE &<br>TYPE SCREWS                |
|--|--------------------|-----------|---------------------|---|
| <b>WILSON PRODUCTS</b>                       |                    |           |                     |   |
| <b>MOBILE RIG - NATIONAL OILWELL</b>         |                    |           |                     |   |
| <b>MAIN DRUM</b>                             |                    |           |                     |   |
| Master BW-30-3 (Senior uses 16 pieces)       | WL2091             | 18        | 3/8 x 6 x 9 1/2     | 124-3/16 x 3/4 BFH<br>20-3/16 x 1 1/4 BFH |
| Master BW-30-5 (Senior uses 16 pieces)       | WL2094             | 18        | 5/8 x 6 x 9 1/4     | 124-3/16 x 3/4 BFH<br>20-3/16 x 1 1/4 BFH |
| Super 32 & Sand Line                         |                    |           |                     | 124-3/16 x 3/4 BFH                        |
| Super BW 32-3                                | WL2283             | 18        | 3/8 x 8 x 10 1/8    | 20-3/16 x 1 1/4 BFH                       |
| MOGUL CORE REEL                              | WL2286             | 11        | 5/8 x 8 x 9 5/8     | 78-3/16 x 3/4 BFH<br>10-3/16 x 1 1/4 BFH  |
| SUPER BW-38-5                                | WL2286             | 18        | 5/8 x 8 x 9 5/8     | 124-3/16 x 3/4 BFH<br>20-3/16 x 1 1/4 BFH |
| MOGUL BW-38-5                                | WL2286             | 22        | 5/8 x 8 x 9 5/8     | 156-3/16 x 3/4 BFH<br>20-3/16 x 1 1/4 BFH |
| SUPER BW 38-5 (Special Blocks)               | WL2508             | 18        | 1 x 8 x 9 5/8       | 126-3/8 x 1 1/4 BFH<br>18-3/8 x 1 1/2 BFH |
| MOGUL BW-38-8, SUPER 38 (Model 30)           | WL2289             | 22        | 1 x 8 x 10 1/8      | 84-3/8 x 1 1/4 BFH<br>48-3/8 x 2 BFH      |
| Super 42 Mogul (Model 75), 75-P, 65-P        |                    |           |                     | 100-3/8 x 1 1/4 BFH                       |
| Torc-Air, 190-38-9, Mogul 42 (Model 65)      | WL2289             | 24        | 1 x 8 x 10 1/8      | 44-3/8 x 2 BFH                            |
| Atlas; Super Atlas (Model 120),              |                    |           |                     | 122-3/8 x 1 1/2 BFH                       |
| Super Giant 90, BW-56                        | WL2511             | 22        | 1 1/8 x 10 x 12     | 76-3/8 x 2 BFH                            |
| 42 B-300; 400 BI; 400 DI; 500                |                    |           |                     | 104-3/8 x 1 1/2 BFH                       |
| Giant BW-56; Mogul 42-10; 700                | WL2511             | 20        | 1 1/8 x 10 x 12     | 76-3/8 x 2 BFH                            |
| Titan BW-56 (Model 150,) Torc-Air; Road      |                    |           | 158-3/8 x 1 1/2 BFH |   |
| Air, Super Titan BW-56 (Model 150A)          | WL2511             | 26        | 1 1/8 x 10 x 12     | 76-3/8 x 2 BFH                            |
| Super Titan 66 (Model 250)                   | WL2511A            | 30        | 1 1/4 x 10 x 12     | 194-3/8 x 1 1/2 BFH<br>76-3/8 x 2 BFH     |
| <b>SAND REEL</b>                             |                    |           |                     |   |
| Super Titan 66, Super Titan 56, Titan,       |                    |           |                     | 100-3/8 x 1 1/4 BFH                       |
| Super Atlas, Super Giant 90, 120,            | WL2289             | 24        | 1 x 8 x 10 1/8      | 44-3/8 x 2 BFH                            |
| 150, 150A, 250; 75; 75-P; 700; 42B-300;      |                    |           |                     |   |
| 400 BI; 500                                  |                    |           |                     |   |
| Super Mogul 42, Mogul 42, 65, 65-P, 75, 75-P | WL2289             | 22        | 1 x 8 x 10 1/8      | 84-3/8 x 1 1/4 BFH                        |
| 190-38-9; Super 38; 42-B, 400 DI             |                    |           |                     | 48-3/8 x 2 BFH                            |

## SCAN-PAC MFG., INC. CATHEAD & DRAWWORKS CLUTCH FACINGS

| Part #                            | Thk x ID x OD         | Holes /seg | Mat'l | OEM Part #   | OEM               | # of Seg's Req'd to Reline Plate |
|-----------------------------------|-----------------------|------------|-------|--------------|-------------------|----------------------------------|
| <b>CONTINENTAL EMSCO</b>          |                       |            |       |              |                   |                                  |
| PR2204                            | 3/8 X 15 X 22         | 16         | RF38  | 6919-0005-00 | Continental Emsco | 1                                |
| PR2704                            | 3/8 X 17 X 27         | 24         | RF38  | 6919-0114-00 | Continental Emsco | 1                                |
| <b>IRI INTERNATIONAL</b>          |                       |            |       |              |                   |                                  |
| PR2604                            | 1/4 X 20 X 26-3/4     |            | RF38  | 114          | Cabot-IRI         | 1                                |
| PR2802                            | 1/4 X 20 X 28-3/4     |            | RF38  | S5114        | Cabot-IRI         | 1                                |
| PR3202                            | 1/4 X 20 X 32-1/8     |            | RF38  | E114         | Cabot-IRI         | 1                                |
| PR3644                            | 1/4 X 20-3/8 X 36-3/8 |            | RF38  | G114         | Cabot-IRI         | 1                                |
| <b>NATIONAL OILWELL - VARCO</b>   |                       |            |       |              |                   |                                  |
| PR1603                            | 1/4 X 10X 16          | 8          | RF38  | 627686       | National          | 4                                |
| PR1605                            | 3/8 X 10 X 16         | 6          | RF38  | 627685       | National          | 4                                |
| PR1806                            | 3/8 X 12 X 18         | 6          | RF38  | 627688       | National          | 4                                |
| PR2104                            | 1/4 X 14 X 21         | 8          | RF38  | 618796       | National          | 4                                |
| R3604                             | 3/8 X 21-1/2 X 36     | 25         | RF38  | 610627       | National          | 8                                |
| PR4202                            | 3/8 X 26 X 42         | 18         | RF38  | 619284       | National          | 12                               |
| <b>SHAFFER, A VARCO CO. (JOY)</b> |                       |            |       |              |                   |                                  |
| PR1052                            | 3/16 X 5 X 10         | 18         | RF38  | 280-000-1200 | Joy               | 1                                |
| PR1054                            | 3/8 X 5 X 10          | 16         | RF38  | 362-800-0012 | Joy               | 1                                |
| PR1252                            | 3/16 X 5-3/8 X 12     | 16         | RF38  | 282-000-1200 | Joy               | 1                                |
| PR1254                            | 3/8 X 5-3/8 X 12      | 16         | RF38  | 362-820-0012 | Joy               | 1                                |
| PR1274                            | 3/8 X 7 X 12          | 17         | RF38  | 35-19        | Foster            | 1                                |
| PR1582                            | 3/16 X 8-3/4 X 15-3/4 | 24         | RF38  | 286-000-1200 | Joy               | 1                                |
| PR1584                            | 3/8 X 5-3/4 X 15-3/4  | 24         | RF38  | 362-860-0012 | Joy               | 1                                |
| PR1602                            | 1/4 X 10X 15-3/32     | 33         | RF38  | 245-011-1100 | Foster            | 2                                |
| PR1604                            | 3/8 X 10 X 16         | 24         | RF38  | 24-19        | Foster            | 1                                |
| PR1606                            | 3/8 X 11 X 16         |            | RF38  | 245-011-1    | Joy               | 1                                |
| PR1704                            | 3/8 X 11 X 17         |            | RF38  | 245-021-11   | Joy               | 1                                |
| PR1705                            | 3/8 X 11 X 17         |            | RF38  | 362-450-2111 | Joy               | 1                                |
| PR1804                            | 3/8 X 10 X 18         | 24         | RF38  | 15-19        | Foster            | 1                                |
| PR1805                            | 3/8 X 11X 18          |            | RF38  | 243-000-40   | Joy               | 1                                |
| PR1954                            | 3/8 X 13-1/2 X 19-1/2 | 21         | RF38  | 29-19        | Foster            | 1                                |
| PR2205                            | 3/8 X 16 X 22         |            | RF38  | 18-19        | Foster            | 1                                |
| <b>FAIRBANKS MORSE</b>            |                       |            |       |              |                   |                                  |
| PR0602                            | 3/16 X 3,335 X 6-1/4  |            | RF38  | E6           | Fairbanks Morse   | 1                                |
| PR9002                            | 187 X 4-5/16 X 9      |            | RF38  | E10-9        | Fairbanks Morse   | 1                                |
| PR1042                            | 195X4-5/16 X 10       |            | RF38  | E10A-10      | Fairbanks Morse   | 1                                |
| <b>TWIN DISC</b>                  |                       |            |       |              |                   |                                  |
| PR1138                            | 1/8 X 5-1/2 X 11-3/8  | 22         | RF38  | 5373         | Twin Disc         | 1                                |
| PR4203                            | 390 X 28 X 42         | 28         | RF38  | A6835        | Twin Disc         | 8                                |
| PR9003                            | 1/8 X 5-1/2 X 9-7/8   | 20         | RF38  | 5570         | Twin Disc         | 1                                |



## DRAWWORKS CLUTCH DATA

| DRAWWORKS MANUFACTURER<br>BREWSTER (SKYTOP/BREWSTER)                          | SP<br>PART NO. | OEM<br>NUMBER | MODEL NO. | NO<br>PCS. | HARDWARE<br>NO. & SIZE |
|---|----------------|---------------|-----------|------------|------------------------|
| – LOW DRUM –  |                |               |           |            |                        |
| N42; N46; N46E; N75; NE75   | GT-30          |               | TD-P0230  | 2          | none required          |
| SB1000; SB1000E   | GT-30          |               | TD-P0330  | 3          | none required          |
| – HIGH DRUM –   |                |               |           |            |                        |
| N42   | GT-24          |               | TD-P0224  | 2          | none required          |
| N46; N46E; N75; NE75; SB1000;<br>SB1000E                                      | GT-24          |               | TD-P0324  | 3          | none required          |
| SB1500; SB1500E   | GT-30          |               | TD-P0230  | 2          | none required          |
| N12A; NE12  | GT-30          |               | TD-P0330  | 3          | none required          |
| – ROTARY –  |                |               |           |            |                        |
| N42; N46; N46E; N75; NE75; SB1000;<br>SB1000E; SB1500; SB1500E                | GT-18          |               | TD-P0218  | 2          | none required          |
| N12A; NE12  | GT-18          |               | TD-P0318  | 3          | none required          |
| – SAND REEL –   |                |               |           |            |                        |
| N42; N46; N46E; N75; NE75; SB1000;<br>SB1000E; SB1500; SB1500E; N12A;<br>NE12 | GT-24          |               | TD-P0224  | 2          | none required          |
| – DRUM CLUTCH –   |                |               |           |            |                        |
| RR400; RR550; RR600; RR650; RR750   | GT-24          |               | TD-P0324  | 3          | none required          |
| RR850; R800   | GT-30          |               | TD-P0230  | 2          | none required          |
| – SAND DRUM –   |                |               |           |            |                        |
| RR400; RR550; RR600; RR650;<br>RR750; RR850; R800                             | GT-24          |               | TD-P0224  | 2          | none required          |

### CARDWELL INTL.

|                   |         |        |          |    |                            |
|-------------------|---------|--------|----------|----|----------------------------|
| – MAIN DRUM –     |         |        |          |    |                            |
| K100              | GT-18   |        | TD-P0218 | 2  | none required              |
| K150              | GT-24   |        | TD-P0124 | 1  | none required              |
| K200C             | GT-24   |        | TD-P0224 | 2  | none required              |
| K210B; K250A      | CS2865L | 414583 | 28VC650  | 14 | 150-1/4 x 17/32 dr. rivets |
| K500; K600; KH500 | CS3365L | 414585 | 33VC650  | 16 | 170-1/4 x 19/32 dr. rivets |
| K700              | CS3765L | 414585 | 37VC650  | 18 | 190-1/4 x 19/32 dr. rivets |
| K1000             | GT-24   |        | TD-P0324 | 3  | none required              |
| KH1000            | GT-30   |        | TD-P0230 | 2  | none required              |
| – SAND DRUM –     |         |        |          |    |                            |
| K100              | GT-18   |        | TD-P0118 | 1  | none required              |
| K150              | GT-18   |        | TD-P0218 | 2  | none required              |
| K200C             | GT-24   |        | TD-P0124 | 1  | none required              |
| – MAIN DRUM - H – |         |        |          |    |                            |
| K250A             | CS2060L | 307358 | 20VC600  | 10 | 110-1/4 x 17/32 dr. rivets |

Note: Where GT is shown in SP Part No. Column  
Refer to Gear Tooth data following this section

## DRAWWORKS CLUTCH DATA

| DRAWWORKS MANUFACTURER   | SP<br>PART NO. | OEM<br>NUMBER | MODEL NO.   | NO<br>PCS. | HARDWARE<br>NO. & SIZE     |
|--|----------------|---------------|-------------|------------|----------------------------|
| <b>COOPER/LOADCRAFT</b>  |                |               |             |            |                            |
| – MAIN DRUM –  |                |               |             |            |                            |
| LT0750; LT0650   | CS2810L        | 414599        | 28VC1000    | 10         | 110-1/4 x 17/32 dr. rivets |
| LT0550; LT0350; LT0250; LT0150   | GT-25106       | 230-25-8      | Wichita 224 | 2          | none required              |
| – SANDLINE –   |                |               |             |            |                            |
| LT0550; LT0350; LT0250   | GT-25106       | 230-25-8      | Wichita 224 | 2          | none required              |
| LT0150   | GT-25106       | 230-25-8      | Wichita 124 | 1          | none required              |
| – 3RD CLUTCH –   |                |               |             |            |                            |
| LT0750; LT0650   | CS2810L        | 414599        | 28VC1000    | 10         | 110-1/4 x 17/32 dr. rivets |
| LT0550   | GT-25106       | 230-25-8      | Wichita 224 | 2          | none required              |
| LT0350; LT0250; LT0150   | GT-25106       | 230-25-8      | Wichita 124 | 1          | none required              |
| – ROTARY DRIVE –   |                |               |             |            |                            |
| LT0550; LT0350; LT0250   | GT-19104       | 234-25-1      | Wichita 218 | 2          | none required              |
| <b>CONTINENTAL EMSCO<br/>LTV ENERGY</b>  |                |               |             |            |                            |
| – LOW DRUM –   |                |               |             |            |                            |
| Electrohoist 2D; Electric & Mechanical   |                |               |             |            |                            |
| C1; C2; C3   | CS4212L        | 511641        | 42VC1200    | 14         | 140-3/8 x 1 screw & nuts   |
| Electric & Mechanical D3-2; D3-3   | CS3812L        | 511639        | 38VC1200    | 12         | 120-3/8 x 1 screws & nuts  |
| Electric & Mechanical D2   | CS3210L        | 414601        | 32VC1000    | 12         | 120-3/8 x 1 screws & nuts  |
| Electric & Mechanical D1   | CS2810L        | 414599        | 28VC1000    | 10         | 110-1/4 x 17/32 dr. rivets |
| – HIGH DRUM –  |                |               |             |            |                            |
| Electric & Mechanical C3-2; C3-3   | CS4612L        | 414438        | 42VC1200    | 32         | 192-3/8 x 1 screws & nuts  |
| Electric & Mechanical C2-2; C2-3;<br>C1-2; C1-3  | CS3812L        | 511639        | 38VC1200    | 12         | 120-3/8 x 1 screws & nuts  |
| Electric & Mechanical D3-2; D3-3   | CS3210L        | 414601        | 32VC1000    | 12         | 120-3/8 x 1 screws & nuts  |
| Electric & Mechanical D2   | CS2010L        | 414595        | 20VC1000    | 8          | 90-1/4 x 17/32 dr. rivets  |
| – CATHEAD - SPINNING –   |                |               |             |            |                            |
| Electric & Mechanical C3-2; C3-3;<br>C2-2; C2-3; C1-2; C1-2; C1-3; D3-2;<br>D3-3; D2; D1 | PR2204         | 6919-0005-00  | G-B         | 1          | 16-1/4 x 3/4 screws        |
| – CATHEAD - BREAKOUT –   |                |               |             |            |                            |
| Electric & Mechanical C3-2; C3-3;<br>C2-2; C2-111  | PR2704         | 6919-0114-00  | GBH         | 1          | 24-1/4 x 3/4 screws        |
| – CATHEAD - BREAKOUT –   |                |               |             |            |                            |
| C1-2; C1-3; D3-2; D3-3; D2; D1   | PR2204         | 6919-0005-00  | GB          | 1          | 16-1/4 x 3/4 screws        |
| <b>GEO. E. FAILING</b>   |                |               |             |            |                            |
| – MAIN DRUM –  |                |               |             |            |                            |
| 8000   | CS2810L        | 414599        | 28VC1000    | 10         | 110-1/4 x 17/32 dr. rivets |
| – ROTARY TABLE –   |                |               |             |            |                            |
| 2500   | GT-14          |               | TD-E214     | 2          | none required              |
| <b>HOPPER</b>  |                |               |             |            |                            |
| – MAIN DRUM –  |                |               |             |            |                            |
| IG; IGX  | WL1750         | H-IGT736      | 24 3/4      | 12         | keepers, bolts & nuts      |
| G; GX; GXH   | WL1751         | H-GT736       | 30          | 12         | keepers, bolts & nuts      |
| M; R   | WL 1752        | H-M-236A      | 34          | 12         | keepers, bolts & nuts      |
| – SAND REEL –  |                |               |             |            |                            |
| IG; G; GX  | WL1750         | H-IGT736      | 24 3/4      | 12         | keepers, bolts & nuts      |
| GXH; M; R; GX(H.D.)  | WL1751         | H-GT736       | 30          | 12         | keepers, bolts & nuts      |

Note: Where GT is shown in SP Part No. Column  
Refer to Gear Tooth data following this section

## DRAWWORKS CLUTCH DATA

| DRAWWORKS MANUFACTURER                 | SP PART NO.           | OEM NUMBER       | MODEL NO.               | NO PCS.  | HARDWARE NO. & SIZE                            |
|--|-----------------------|------------------|-------------------------|----------|--|
| <b>IDECO - IRI</b>                     |                       |                  |                         |          |  |
| – LOW DRUM –                           |                       |                  |                         |          |  |
| E3000; ES3000; H3000                   | CS5212L               | 414438           | 52VC1200                | 36       | 216-3/8 x 1 BFHS nuts                          |
| E2100; ES2100                          | CS4212L or<br>CS4612L | 511641<br>414438 | 42VC1200 or<br>46VC1200 | 14<br>32 | 140-3/8 x 1 BFHS nuts<br>192-3/8 x 1 BFHS nuts |
| E1700                                  | CS3810L               | 403525           | 38VC1000                | 12       | 120-3/8 x 1 BFHS nuts                          |
| ED900; H900; ED1200; H1200             | CS3210L               | 414601           | 32VC1000                | 12       | 120-3/8 x 1 BFHS nuts                          |
| H1700                                  | CS3812L               | 511639           | 38VC1200                | 12       | 120-3/8 x 1 BFHS nuts                          |
| – HIGH DRUM –                          |                       |                  |                         |          |  |
| E3000; ES3000; H3000                   | CS4612L or<br>CS5212L | 414438<br>414438 | 46VC1200 or<br>52VC1200 | 32<br>36 | 192-3/8 x 1 BFHS nuts<br>216-3/8 x 1 BFHS nuts |
| E2100; ES2100                          | CS4212L or<br>CS4612L | 511641<br>414438 | 42VC1200 or<br>46VC1200 | 14<br>32 | 140-3/8 x 1 BFHS nuts<br>192-3/8 x 1 BFHS nuts |
| H1700                                  | CS3210L or<br>CS3812L | 414601<br>511639 | 32VC1000 or<br>38VC1200 | 12<br>12 | 120-3/8 x 1 BFHS nuts<br>120-3/8 x 1 BFHS nuts |
| ED1200                                 | CS3210L               | 414601           | 32VC1000                | 12       | 120-3/8 x 1 BFHS nuts                          |
| ED900                                  | CS2810L               | 414599           | 28VC1000                | 10       | 110-1/4 x 17/32 dr. rivets                     |
| – ROTARY DRIVE –                       |                       |                  |                         |          |  |
| E3000; ES3000; E2100; ES2100;<br>H3000 | CS2465L               | 414581           | 24VC650                 | 12       | 130-1/4 x 17/32 dr. rivets                     |
| ED1200; H1200                          | CS2060L               | 307358           | 20VC600                 | 10       | 110-1/4 x 17/32 dr. rivets                     |
| ED900                                  | CS1610L               | 414593           | 16VC1000                | 8        | 90-1/4 x 17/32 dr. rivets                      |
| H900; H725; H1000                      | CS1660L               | 414579           | 16VC600                 | 8        | 90-1/4 x 15/32 dr. rivets                      |

### IRI-INGERSOLL-RAND (Drilling)

|                         |          |        |          |   |               |
|-------------------------|----------|--------|----------|---|---------------|
| – DRUM CLUTCH –         |          |        |          |   |               |
| 2346                    | GT-31101 | 8461-C | TD-P0230 | 2 | none required |
| 2042; 1287W             | GT-25104 | 5667-C | TD-P0224 | 2 | none required |
| – ROTARY CLUTCH –       |          |        |          |   |               |
| 2550HL; 2346SHL         | GT-19101 | 5658-G | TD-P0318 | 3 | none required |
| 2550; 2346; 2042; 1287W | GT-19101 | 5658-G | TD-P0218 | 2 | none required |

### IRI - FRANKS (Workover)

|                                |          |        |          |   |               |
|--------------------------------|----------|--------|----------|---|---------------|
| – DRUM CLUTCH –                |          |        |          |   |               |
| 2042; 1287W; 1287; 1058        | GT-25104 | 5667-C | TD-P0224 | 2 | none required |
| – SAND DRUM –<br>(Drum Clutch) |          |        |          |   |               |
| 160; 120                       | GT-19101 | 5658-G | TD-P0218 | 2 | none required |

### KREMCO

|                        |         |        |          |    |                            |
|------------------------|---------|--------|----------|----|----------------------------|
| – MAIN DRUM –          |         |        |          |    |                            |
| K100                   | GT-18   |        | TD-P0218 | 2  | none required              |
| K750; K750T            | CS3365L | 414585 | 33VC650  | 16 | 170-1/4 x 19/32 dr. rivets |
| K1000; K1000T; K1000TE | CS3765L | 414585 | 37VC650  | 18 | 190-1/4 x 19/32 dr. rivets |
| – SANDLINE –           |         |        |          |    |                            |
| K100                   | GT-18   |        | TD-P0218 | 2  | none required              |

Note: Where GT is shown in SP Part No. Column  
Refer to Gear Tooth data following this section

## DRAWWORKS CLUTCH DATA

| DRAWWORKS MANUFACTURER              | SP<br>PART NO. | OEM<br>NUMBER | MODEL NO.   | NO<br>PCS. | HARDWARE<br>NO. & SIZE     |
|-------------------------------------|----------------|---------------|-------------|------------|----------------------------|
| <b>MID-CONTINENT</b>                |                |               |             |            |                            |
| LOW DRUM                            |                |               |             |            |                            |
| U-34B-Mechanical & Electric         | CS2410L        | 414597        | 24VC1000    | 10         | 110-1/4 x 17/32 dr. rivets |
| U-36A-Mechanical & Electric         | CS2465L        | 414581        | 24VC650     | 12         | 130-1/4 x 17/32 dr. rivets |
| U-712A; U712 EA; U-914C; U-914EC    | CS3812L        | 511639        | 38VC1200    | 12         | 120-3/8 x 1 screws & nuts  |
| U1220, U1220EB                      | CS4212L        | 511641        | 42VC1200    | 14         | 140-3/8 x 1 screws & nuts  |
| – HIGH DRUM –                       |                |               |             |            |                            |
| U-34B Mechanical & Electric; U-36A; |                |               |             |            |                            |
| U-36EA                              | CS2465L        | 414581        | 24VC650     | 12         | 130-1/4 x 17/32 dr. rivets |
| U-712A; U-712EA; U-914EC            | CS3210L        | 414601        | 32VC1000    | 12         | 120-3/8 x 1 screws & nuts  |
| U-914C                              | CS3810L        | 403525        | 38VC1000    | 12         | 120-3/8 x 1 screws & nuts  |
| U-1220; U1220EB                     | CS4212L        | 511641        | 42VC1200    | 14         | 140-3/8 x 1 screws & nuts  |
| – SAND REEL –                       |                |               |             |            |                            |
| U-712A; U-712EA; U-914C; U-914EC    | CS2465L        | 414581        | 24VC650     | 12         | 130-1/4 x 17/32 dr. rivets |
| – ROTARY –                          |                |               |             |            |                            |
| U-712EA - Electric                  | CS1660L        | 414579        | 16VC600     | 8          | 90-1/4 x 17/32 dr. rivets  |
| U-712A; U-712EA; U-914C; U-914EC;   |                |               |             |            |                            |
| U-1220; U-1220EB                    | CS2060L        | 307358        | 20VC600     | 10         | 110-1/4 x 17/32 dr. rivets |
| <b>NATIONAL - OILWELL</b>           |                |               |             |            |                            |
| – LOW DRUM –                        |                |               |             |            |                            |
| 1625DE; 1625M                       | PR4202         | 619284        | 2 Plate 42" | 24 seg     | 216-10-16 rivets           |
| 1320UE; 1320M                       | PR3604         | 610627        | 2 Plate 36" | 16 seg     | 200-10-16 rivets           |
| 110UE; 110M                         | AB4610         | 626163        | 46 x 10     | 16         | keepers, bolts & nuts      |
| 80UE; 80B                           | AB4010         | 622836        | 40 x 10     | 14         | keepers, bolts & nuts      |
| 610, 610E, 370; 370E                | CS2810L        | 414599        | 28VC1000    | 10         | 110-1/4 x 17/32 dr. rivets |
| – HIGH DRUM –                       |                |               |             |            |                            |
| 1625DE; 1625M                       | AB4610         | 626163        | 46 x 10     | 16         | keepers, bolts & nuts      |
| 1320UE; 1320M; 110UE; 110M          | AB4010         | 622836        | 40 x 10     | 14         | keepers, bolts & nuts      |
| 80UE; 80B                           | AB3210         | 621660        | 32 x 10     | 12         | keepers, bolts & nuts      |
| 610; 610E                           | CS2865L        | 414583        | 28VC650     | 14         | 150-1/4 x 17/32 dr. rivets |
| – ROTARY DRIVE –                    |                |               |             |            |                            |
| 1625DE; 1625M; 1320UE; 1320M;       |                |               |             |            |                            |
| 110UE; 110M; 80UE; 80B              | AB28525        | 625298        | 28x5 1/4    | 12         | keepers, bolts & nuts      |
| 610; 610E                           | CS2447L        | 307452        | 24E475      | 16         | 70-1/4 x 17/32 dr. rivets  |
| 370; 370E                           | CS2147L        | 307450        | 21.5E475    | 14         | 62-1/4 x 17/32 dr. rivets  |
| – CORING REEL –                     |                |               |             |            |                            |
| 1625DE; 1625M; 1320UE; 1320M        | AB28525        | 625298        | 28 x 5 1/4  | 12         | keepers, bolts & nuts      |
| 110UE; 110M; 80UE; 80B              | AB24525        | 625290        | 24 x 5 1/4  | 10         | keepers, bolts & nuts      |
| – CATHEAD FACINGS –                 |                |               |             |            |                            |
| Break-out Spool                     | PR1605         | 627685        | B1; B2      | 4 seg      | 24-1/4 x 3/4 BFHS & nuts   |
| Break-out Plate                     | PR1603         | 627686        | B1; B2      | 8 seg      | 64-#7-10 rivets            |
| Make-up Spool                       | PR1806         | 627688        | B1; B2      | 4 seg      | 24-1/4 x 3/4 BFHS & nuts   |
| Break-out Plate                     | PR2104         | 618796        | A1          | 8 seg      | 64-#7-12 rivets            |
| Make-up Spool                       | PR2104         | 618796        | A1          | 4 seg      | 32-#7-12 rivets            |

Note: Where GT is shown in SP Part No. Column  
Refer to Gear Tooth data following this section

## DRAWWORKS CLUTCH DATA

| DRAWWORKS MANUFACTURER     | SP STOCK NO. | OEM NUMBER | MODEL NO. | NO PCS. | HARDWARE NO. & SIZE          |
|----------------------------|--------------|------------|-----------|---------|------------------------------|
| <b>OILWELL</b>             |              |            |           |         |                              |
| – HIGH DRUM –              |              |            |           |         |                              |
| E2000; M2000               | CS4212L      | 511641     | 42VC1200  | 14      | 140-3/8 x 1 screws & nuts    |
| 860; 840E                  | CS3812L      | 511639     | 38VC1200  | 12      | 120-3/8 x 1 screws & nuts    |
| 760; 760E                  | CS3210L      | 414601     | 32VC1000  | 12      | 120-3/8 x 1 screws & nuts    |
| 700; 700E                  | CS2865L      | 414583     | 28VC650   | 14      | 150 - 1/4 x 17/32 dr. rivets |
| 660; 660E                  | GT-30        |            | TD-P0230  | 2       | none required                |
| – LOW DRUM –               |              |            |           |         |                              |
| E2000; 840E                | CS4212L      | 511641     | 42VC1200  | 14      | 140-3/8 x 1 screws & nuts    |
| 860; 840E                  | CS3812L      | 511639     | 38VC1200  | 12      | 120-3/8 x 1 screws & nuts    |
| 760; 760E                  | CS3210L      | 414601     | 32VC1000  | 12      | 120-3/8 x 1 screws & nuts    |
| 700; 700E; 660; 660E       | GT-30        |            | TD-P0230  | 2       | none required                |
| 500                        | CS3365L      | 414585     | 33VC650   | 16      | 170-1/4 x 19/32 dr. rivets   |
| – ROTARY –                 |              |            |           |         |                              |
| E3000; M3000; E2000; M2000 | CS2465L      | 414581     | 24VC650   | 12      | 130-1/4 x 17/32 dr. rivets   |
| 500                        | CS1660L      | 414579     | 16VC600   | 8       | 90-1/4 x 15/32 dr. rivets    |
| <b>OIME</b>                |              |            |           |         |                              |
| – LOW DRUM –               |              |            |           |         |                              |
| SD5E; SD5M                 | CS3210L      | 414601     | 32VC1000  | 12      | 120-3/8 x 1 screws & nuts    |
| SD7E; SD7M                 | CS3812L      | 511639     | 38VC1200  | 12      | 120-3/8 x 1 screws & nuts    |
| SD9E; SD9M                 | CS4212L      | 511641     | 42VC1200  | 14      | 120-3/8 x 1 screws & nuts    |
| – HIGH DRUM –              |              |            |           |         |                              |
| SD5E                       | CS2010L      | 414595     | 20VC1000  | 8       | 90-1/4 x 17/32 dr. rivets    |
| SD7E; SD7M                 | CS3210L      | 414601     | 32VC1000  | 12      | 120-3/8 x 1 screws & nuts    |
| SD9E; SD9M                 | CS3812L      | 511639     | 38VC1200  | 12      | 120-3/8 x 1 screws & nuts    |
| – ROTARY DRIVE –           |              |            |           |         |                              |
| SD7E; SD7M                 | CS2465L      | 414581     | 24VC650   | 12      | 130-1/4 x 17/32 dr. rivets   |
| SD9E; SD9M; SD11E          | GT-18        |            | TD-P0318  | 3       | none required                |
| – LOW DRUM –               |              |            |           |         |                              |
| SL5                        | GT-30        |            | TD-P0230  | 2       | none required                |
| SL7                        | GT-30        |            | TD-P0330  | 3       | none required                |
| SL-9P                      | CS4212L      | 511641     | 42VC1200  | 14      | 140-3/8 x 1 screws & nuts    |
| – HIGH DRUM –              |              |            |           |         |                              |
| SL-5                       | GT-30        |            | TD-P0230  | 2       | none required                |
| SL-7                       | GT-30        |            | TD-P0330  | 3       | none required                |
| SL-9P                      | CS3812L      | 511639     | 38VC1200  | 12      | 120-3/8 x 1 screws & nuts    |
| – ROTARY DRIVE –           |              |            |           |         |                              |
| SL-5                       | GT-30        |            | TD-P0230  | 2       | none required                |
| SL-7                       | GT-18        |            | TD-P0218  | 2       | none required                |
| SL-9P                      | CS2465L      | 414581     | 24VC650   | 12      | 130-1/4 x 17/32 dr. rivets   |
| – CATWORKS –               |              |            |           |         |                              |
| C-7                        | GT-18        |            | TD-P0218  | 2       | none required                |

Note: Where GT is shown in SP Part No. Column  
Refer to Gear Tooth data following this section

## RF 38 & RF52 GEAR TOOTH FACINGS

| SPM #   | MAT'L | THK.  | I.D. | O.D.  | NO. TEETH | NO. SEGS | CLUTCH SIZE | MFG.       | MFG./P/N     |
|---------|-------|-------|------|-------|-----------|----------|-------------|------------|--------------|
| GT67501 | RF38  | 0.438 | 2.38 | 6.75  | 15        | 1        | 5           | RUELAND    | 97006-2105   |
| GT72501 | RF38  | 0.438 | 3.63 | 7.25  | 42        | 1        | 6           | TWIN DISC  | A3507        |
| GT72502 | RF38  | 0.375 | 3.63 | 7.25  | 42        | 1        | 6           | TWIN DISC  | A3507A       |
| GT72503 | RF38  | 0.438 | 3.63 | 7.25  | 42        | 3        | 6           | TWIN DISC  | A3507S       |
| GT72504 | RF38  | 0.438 | 4.75 | 7.25  | 42        | 3        | 6           | TWIN DISC  | 4596S        |
| GT72505 | RF38  | 0.375 | 4.00 | 7.25  | 42        | 3        | 6.5         | ROCKFORD   | CL8645       |
| GT72506 | RF38  | 0.438 | 4.19 | 7.23  | 42        | 1        | 6           | WICHITA    | 397-11-1     |
| GT72506 | RF52  | 0.438 | 4.19 | 7.23  | 42        | 1        | 6           | WICHITA    | 397-11-1     |
| GT72507 | RF38  | 0.438 | 4.00 | 7.25  | 42        | 1        | 6           | TWIN DISC  | A3507D       |
| GT72508 | RF38  | 0.375 | 4.38 | 7.25  | 42        | 1        | 6           | TWIN DISC  |              |
| GT72509 | RF38  | 0.250 | 3.72 | 7.25  | 24        | 1        | 7.25        | STEARNS    | 8-004-707-00 |
| GT80801 | RF38  | 0.438 | 4.50 | 8.08  | 47        | 1        | 7           | TWIN DISC  | A5436        |
| GT80802 | RF38  | 0.438 | 4.50 | 8.08  | 47        | 2        | 7           | TWIN DISC  | A5436A       |
| GT80803 | RF38  | 0.438 | 4.50 | 8.08  | 47        | 3        | 7           | TWIN DISC  | A5436S       |
| GT80804 | RF38  | 0.438 | 4.50 | 8.08  | 47        | 3        | 7.5         | ROCKFORD   | CL8786       |
| GT87501 | RF38  | 0.438 | 5.50 | 8.75  | 51        | 1        | 8           | TWIN DISC  | 6479         |
| GT87502 | RF38  | 0.438 | 5.50 | 8.75  | 51        | 2        | 8           | TWIN DISC  | 6479C        |
| GT87503 | RF38  | 0.438 | 5.50 | 8.75  | 51        | 3        | 8           | TWIN DISC  | 6479S        |
| GT87504 | RF38  | 0.375 | 5.50 | 8.75  | 51        | 3        | 8           | ROCKFORD   | CL7039       |
| GT87505 | RF38  | 0.438 | 5.40 | 8.70  | 51        | 1        | 8           | WICHITA    | 275-25       |
| GT87505 | RF52  | 0.438 | 5.40 | 8.70  | 51        | 1        | 8           | WICHITA    | 275-25       |
| GT87506 | RF52  | 0.438 | 3.75 | 8.70  | 51        | 1        | 8           | WICHITA    |              |
| GT87508 | RF38  | 0.438 | 5.50 | 8.75  | 51        | 1        | 8           | WICHITA    |              |
| GT92201 | RF38  | 0.250 | 3.72 | 9.25  | 24        | 1        | 9           |            |              |
| GT10701 | RF38  | 0.438 | 5.50 | 10.75 | 63        | 1        | 10          | TWIN DISC  | 5878         |
| GT10702 | RF38  | 0.438 | 5.50 | 10.75 | 63        | 2        | 10          | TWIN DISC  | 5878D        |
| GT10703 | RF38  | 0.438 | 5.50 | 10.75 | 63        | 3        | 10          | TWIN DISC  | 5878S        |
| GT10705 | RF38  | 0.203 | 7.44 | 10.75 | 63        | 1        | 10          | TWIN DISC  | 5904         |
| GT10706 | RF38  | 0.203 | 7.44 | 10.75 | 63        | 2        | 10          | TWIN DISC  | 5904S        |
| GT10707 | RF38  | 0.438 | 6.25 | 10.75 | 63        | 3        | 10          | ROCKFORD   | CL6952       |
| GT10708 | RF38  | 0.438 | 6.50 | 10.75 | 63        | 1        | 10          | TWIN DISC  | 5878B        |
| GT10709 | RF38  | 0.438 | 6.50 | 10.75 | 63        | 3        | 10          | TWIN DISC  | 5878B        |
| GT10710 | RF38  | 0.438 | 3.75 | 10.75 | 63        | 1        | 10          | TWIN DISC  | 5878M        |
| GT10710 | RF52  | 0.438 | 3.75 | 10.75 | 63        | 1        | 10          | TWIN DISC  | 5878M        |
| GT10711 | RF38  | 0.375 | 5.31 | 10.00 | 55        | 1        | 10          | STEARNS    | 8-004-206-00 |
| GT10713 | RF38  | 0.438 | 6.25 | 10.75 | 63        | 1        | 10          | STEARNS    |              |
| GT12201 | RF38  | 0.438 | 6.25 | 12.25 | 72        | 1        | 11          | TWIN DISC  | A5579        |
| GT12202 | RF38  | 0.438 | 6.25 | 12.25 | 72        | 2        | 11          | TWIN DISC  | A5579C       |
| GT12203 | RF38  | 0.438 | 6.25 | 12.25 | 72        | 3        | 11          | TWIN DISC  | A5579A       |
| GT12204 | RF38  | 0.250 | 6.25 | 12.25 | 72        | 1        | 11          | TWIN DISC  | A5579G       |
| GT12205 | RF38  | 0.438 | 8.00 | 12.25 | 72        | 1        | 11          | TWIN DISC  | 6614         |
| GT12206 | RF38  | 0.438 | 8.00 | 12.25 | 72        | 2        | 11          | TWIN DISC  | 6614D        |
| GT12207 | RF38  | 0.438 | 8.00 | 12.25 | 72        | 3        | 11          | TWIN DISC  | 6614A        |
| GT12208 | RF38  | 0.438 | 6.25 | 12.25 | 72        | 3        | 11.5        | ROCKFORD   | CL10145      |
| GT12209 | RF38  | 0.438 | 6.25 | 12.25 | 72        | 4        | 11.5        | ROCKFORD   | CL10321      |
| GT12210 | RF38  | 0.500 | 7.00 | 12.22 | 72        | 1        | 11          | WICHITA    | 265-4        |
| GT12210 | RF52  | 0.500 | 7.00 | 12.22 | 72        | 1        | 11          | WICHITA    | 265-4        |
| GT12211 | RF52  | 0.500 | 4.25 | 12.25 | 72        | 1        | 11          |            |              |
| GT14204 | RF41  | 0.250 | 9.25 | 14.94 | 44        | 1        | 14          | UNIT CRANE | 202397A-3    |
| GT14801 | RF38  | 0.625 | 9.25 | 14.88 | 44        | 1        | 14          | UNIT CRANE | 201821       |
| GT14802 | RF38  | 0.625 | 9.25 | 14.94 | 88        | 1        | 14          | UNIT CRANE | 22702A       |



## RF 38 & RF52 GEAR TOOTH FACINGS

| SPM #   | MAT'L | THK.  | I.D.  | O.D.  | NO. TEETH | NO. SEGS | CLUTCH SIZE | MFG.      | MFG./P/N        |
|---------|-------|-------|-------|-------|-----------|----------|-------------|-----------|-----------------|
| GT14803 | RF38  | 0.625 | 9.25  | 14.88 | 88        | 1        | 14          | TWIN DISC | 5740            |
| GT14803 | RF52  | 0.625 | 9.25  | 14.88 | 88        | 1        | 14          | TWIN DISC | 5740            |
| GT14804 | RF38  | 0.625 | 9.50  | 14.88 | 88        | 1        | 14          | WICHITA   | 4-253-897-000   |
| GT14804 | RF52  | 0.625 | 9.50  | 14.88 | 88        | 1        | 14          | WICHITA   | 4-253-897-000   |
| GT14805 | RF38  | 0.438 | 9.25  | 14.88 | 44        | 1        | 14          | WICHITA   |                 |
| GT15101 | RF38  | 0.625 | 9.25  | 15.13 | 59        | 1        | 14          | TWIN DISC | 5659M           |
| GT15102 | RF38  | 0.625 | 9.75  | 15.13 | 59        | 3        | 14          | TWIN DISC | 5659A           |
| GT15103 | RF38  | 0.625 | 9.25  | 15.13 | 59        | 3        | 14          | TWIN DISC | 5659B,J         |
| GT15104 | RF38  | 0.625 | 9.75  | 15.13 | 59        | 1        | 14          | TWIN DISC | 5659C,P         |
| GT15104 | RF52  | 0.625 | 9.75  | 15.13 | 59        | 1        | 14          | TWIN DISC | 5659C,P         |
| GT15105 | RF38  | 0.625 | 7.00  | 15.13 | 59        | 1        | 14          | TWIN DISC | 5659K           |
| GT15106 | RF38  | 0.625 | 7.00  | 15.13 | 59        | 3        | 14          | TWIN DISC | 5659L           |
| GT15107 | RF38  | 0.625 | 8.38  | 15.13 | 59        | 1        | 14          | ROCKFORD  | CL6954          |
| GT15108 | RF38  | 0.625 | 8.38  | 15.13 | 59        | 3        | 14          | ROCKFORD  | CL9927          |
| GT15109 | RF38  | 0.625 | 9.50  | 15.13 | 59        | 1        | 14          | WICHITA   | 253-25-2        |
| GT15109 | RF52  | 0.625 | 9.50  | 15.13 | 59        | 1        | 14          | WICHITA   | 253-25-2        |
| GT15110 | RF38  | 0.625 | 9.25  | 15.13 | 59        | 1        | 14          | TWIN DISC | 5659D           |
| GT15110 | RF52  | 0.625 | 9.25  | 15.13 | 59        | 1        | 14          | TWIN DISC | 5659D           |
| GT15112 | RF52  | 0.500 | 9.75  | 15.13 | 59        | 1        | 14          | TWIN DISC |                 |
| GT16101 | RF38  | 0.625 | 9.25  | 17.16 | 67        | 3        | 16          | TWIN DISC | 6961C           |
| GT16102 | RF38  | 0.625 | 9.25  | 17.16 | 67        | 1        | 16          | TWIN DISC | 6961A,B         |
| GT16103 | RF38  | 0.625 | 10.00 | 17.16 | 67        | 1        | 16          | TWIN DISC | 6961D           |
| GT16104 | RF38  | 0.625 | 10.53 | 17.12 | 67        | 1        | 16          | WICHITA   | 404-25          |
| GT16104 | RF52  | 0.625 | 10.53 | 17.12 | 67        | 1        | 16          | WICHITA   | 404-25          |
| GT19101 | RF38  | 0.625 | 12.50 | 19.13 | 75        | 1        | 18          | TWIN DISC | 5658            |
| GT19102 | RF38  | 0.625 | 12.50 | 19.13 | 75        | 2        | 18          | TWIN DISC | 5658A           |
| GT19103 | RF38  | 0.625 | 12.50 | 19.13 | 75        | 3        | 18          | TWIN DISC | 5658C           |
| GT19104 | RF38  | 0.625 | 12.56 | 19.13 | 75        | 1        | 18          | WICHITA   | 234-25-1        |
| GT19104 | RF52  | 0.625 | 12.56 | 19.13 | 75        | 1        | 18          | WICHITA   | 234-25-1        |
| GT19107 | RF52  | 1.005 | 12.56 | 19.13 | 75        | 1        | 18          | WICHITA   |                 |
| GT22101 | RF38  | 0.688 | 12.50 | 22.16 | 87        | 1        | 21          | TWIN DISC | 6971A           |
| GT22102 | RF38  | 0.688 | 12.50 | 22.16 | 87        | 3        | 21          | TWIN DISC | 6971B,S         |
| GT22103 | RF38  | 0.750 | 14.56 | 22.13 | 87        | 1        | 21          | WICHITA   | 254-10-1        |
| GT22103 | RF52  | 0.750 | 14.56 | 22.13 | 87        | 1        | 21          | WICHITA   | 254-10-1        |
| GT25101 | RF38  | 0.875 | 14.50 | 25.16 | 99        | 1        | 24          | TWIN DISC | 5667A           |
| GT25103 | RF38  | 0.875 | 14.50 | 25.16 | 99        | 3        | 24          | TWIN DISC | 5667B           |
| GT25104 | RF38  | 0.875 | 17.50 | 25.16 | 99        | 1        | 24          | TWIN DISC | 5667C           |
| GT25105 | RF38  | 0.875 | 14.56 | 25.07 | 99        | 1        | 24          | WICHITA   | 230-25          |
| GT25105 | RF52  | 0.875 | 14.56 | 25.07 | 99        | 1        | 24          | WICHITA   | 230-25          |
| GT25106 | RF38  | 0.875 | 17.50 | 25.07 | 99        | 1        | 24          | WICHITA   | 230-25-8        |
| GT25106 | RF52  | 0.875 | 17.50 | 25.07 | 99        | 1        | 24          | WICHITA   | 230-25-8        |
| GT28101 | RF38  | 0.875 | 16.25 | 28.10 | 111       | 1        | 27          | WICHITA   | 4-296-007-000-0 |
| GT28101 | RF52  | 0.875 | 16.25 | 28.10 | 111       | 1        | 27          | WICHITA   | 4-296-007-000-0 |
| GT31101 | RF38  | 0.875 | 21.00 | 31.16 | 123       | 1        | 30          | TWIN DISC | 8461C           |
| GT31102 | RF38  | 1.250 | 21.00 | 31.16 | 123       | 1        | 30          | TWIN DISC | 8461A           |
| GT31103 | RF38  | 1.250 | 21.00 | 31.16 | 123       | 3        | 30          | TWIN DISC | 8461B           |
| GT31104 | RF38  | 1.250 | 19.50 | 31.03 | 123       | 1        | 30          | WICHITA   | 4-231-007-039   |
| GT31104 | RF52  | 1.250 | 19.50 | 31.03 | 123       | 1        | 30          | WICHITA   | 4-231-007-039   |
| GT37101 | RF38  | 1.250 | 24.00 | 37.16 | 147       | 1        | 36          | TWIN DISC | 9802            |
| GT37101 | RF52  | 1.250 | 24.00 | 37.16 | 147       | 1        | 36          | TWIN DISC | 9802            |

# Product Data Sheet: Woven Brake Lining- “A-Block”

## PRODUCT DESCRIPTION

The woven “A-Block” material is a premium non-asbestos brake lining developed especially for oil field use on draw-works, well servicing and drilling rigs. Extensive field evaluations confirm that this product provides outstanding performance in this demanding application area. It exhibits smooth, long lasting trouble-free service with excellent burnishing or bedding-in properties with reduced abrasion for increased rim life. This premium performance material is available in the form of custom sized slabs or rolls.

## CHARACTERISTICS

- Excellent burnishing property
- Uniform friction
- Non-abrasive
- Premium life characteristics
- High tensile strength

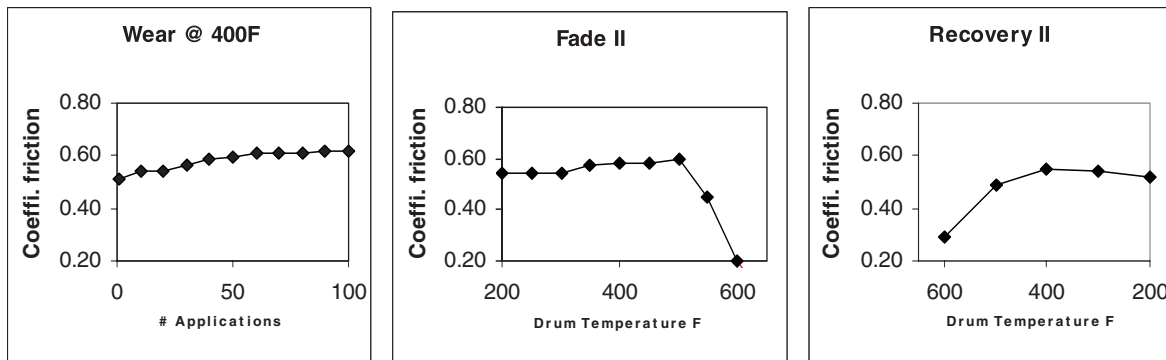
## MECHANICAL PROPERTIES

Specific Gravity (SAE J380) : 1.23  
 Tensile Strength, PSI (ASTM D638) : 2500<sub>min</sub>

## FRICTIONAL PROPERTIES

Coefficient of Friction (SAE J661):  
 Normal\* : 0.50  
 Hot\* : 0.41  
 Wear Rate (SAE J661)  
 (inch<sup>3</sup>/hp-hr) : 0.006<sub>max</sub>  
 Friction Code : GF  
 Maximum Operating Limits:  
 Rubbing Speed\*\* : 5000 fpm  
 Pressure\*\* : 200 psi  
 Drum Temperature for  
 Constant Operation\*\* : 550° F

## SAE J661A TEST CURVES



\*Note 1. – Friction values shown are for guide purposes only since values deviate with changes in temperature, pressure and speed. Practical design should include a 25 to 50 percent safety factor.

\*\*Note 2. – Rubbing speed, drum temperature, and pressure are directly related. Changing any one value will change the others. The values shown represent typical conditions, but are not the ultimate limits of the material.

# Product Data Sheet: RF 34

## PRODUCT DESCRIPTION

**RF34** is a rigid molded *Non-Asbestos, Metallic* friction material suitable for use in *Medium Friction* brake/clutch applications in a wide variety of equipment. RF 34 is non-corrosive, smooth, kind to mating surfaces and keeps the interface temperatures down on both clutches and brakes. RF 34 can be molded into wide range of shapes and sizes to satisfy virtually all industrial applications.

## CHARACTERISTICS

- Exceptional dimensional stability
- Extremely low noise operation
- Excellent corrosion resistance
- Excellent wear rate.
- High Compressibility

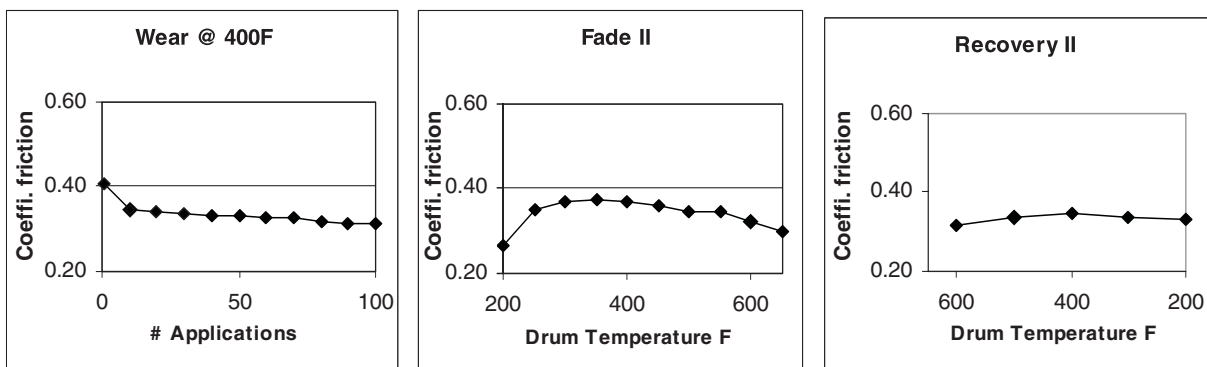
## MECHANICAL PROPERTIES

Specific Gravity (SAE J380) :2.0- 2.25  
 Gogan Hardness (SAE J379A) :15-35  
 Tensile Strength, PSI (ASTM D638) : 2500<sub>min</sub>

## FRICTIONAL PROPERTIES

Coefficient of Friction (SAE J661):  
 Normal\* : 0.34  
 Hot\* : 0.34  
 Wear Rate (SAE J661)  
 (inch<sup>3</sup>/hp-hr) : 0.0057<sub>max</sub>  
 Friction Code : EE  
 Maximum Operating Limits:  
 Rubbing Speed\*\* : 10000 fpm  
 Pressure\*\* : 2000 psi  
 Drum Temperature for  
 Constant Operation\*\* : 650°F

## SAE J661A TEST CURVES



\*Note 1. – Friction values shown are for guide purposes only since values deviate with changes in temperature, pressure and speed. Practical design should include a 25 to 50 percent safety factor.

\*\*Note 2. – Rubbing speed, drum temperature, and pressure are directly related. Changing any one value will change the others. The values shown represent typical conditions, but are not the ultimate limits of the material.

# Product Data Sheet: Green Gripper Woven (GGW)

## PRODUCT DESCRIPTION

GGW is a *Non-Asbestos* woven product for heavy-duty industrial applications. Notable on the test curve are the consistent friction levels and the excellent fade resistance. Recovery is immediate and complete. GGW exhibits high friction under a wide range of temperatures. GGW can be used on wet dry band brakes for industrial use where medium to high friction is required. The product is available in roll form, flat sheet, and custom shapes.

## CHARACTERISTICS

- High Static friction
- Uniform friction
- Non-ferrous metallic
- Immediate and complete recovery
- Good wear rate

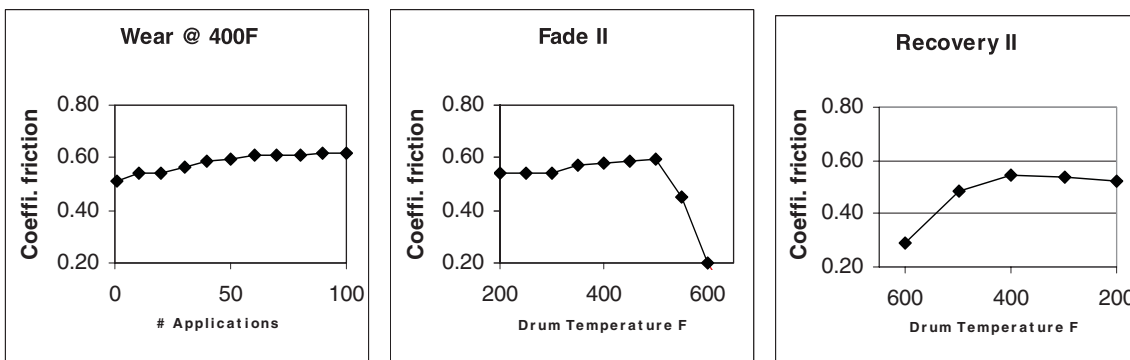
## MECHANICAL PROPERTIES

Specific Gravity (SAE J380) : 1.31  
 Tensile Strength, PSI (ASTM D638) : 15000<sub>min</sub>

## FRICTIONAL PROPERTIES

Coefficient of Friction (SAE J661):  
 Normal\* : 0.55  
 Hot\* : 0.44  
 Wear Rate (SAE J661)  
 (inch<sup>3</sup>/hp-hr) : 0.011<sub>max</sub>  
 Friction Code : GF  
 Maximum Operating Limits:  
 Rubbing Speed\*\* : 5000 fpm  
 Pressure\*\* : 200 psi  
 Drum Temperature for  
 Constant Operation\*\* : 550°F

## SAE J661A TEST CURVES



\*Note 1. – Friction values shown are for guide purposes only since values deviate with changes in temperature, pressure and speed. Practical design should include a 25 to 50 percent safety factor.

\*\*Note 2. – Rubbing speed, drum temperature, and pressure are directly related. Changing any one value will change the others. The values shown represent typical conditions, but are not the ultimate limits of the material.

# Product Data Sheet: RF 425

## PRODUCT DESCRIPTION

RF 425 is a *Non-Asbestos, Non-Metallic, Medium friction* rigid molded material. The product has exceptional dimensional stability and can be molded into many intricate internal, external, and customer specified shapes. RF 425 is an excellent thermal and electrical insulator. It is recommended for use as insulating material or as in any medium friction application, including the most severe.

## CHARACTERISTICS

- Excellent insulator
- Uniform friction
- Non-abrasive
- Premium life characteristics
- High corrosion resistance

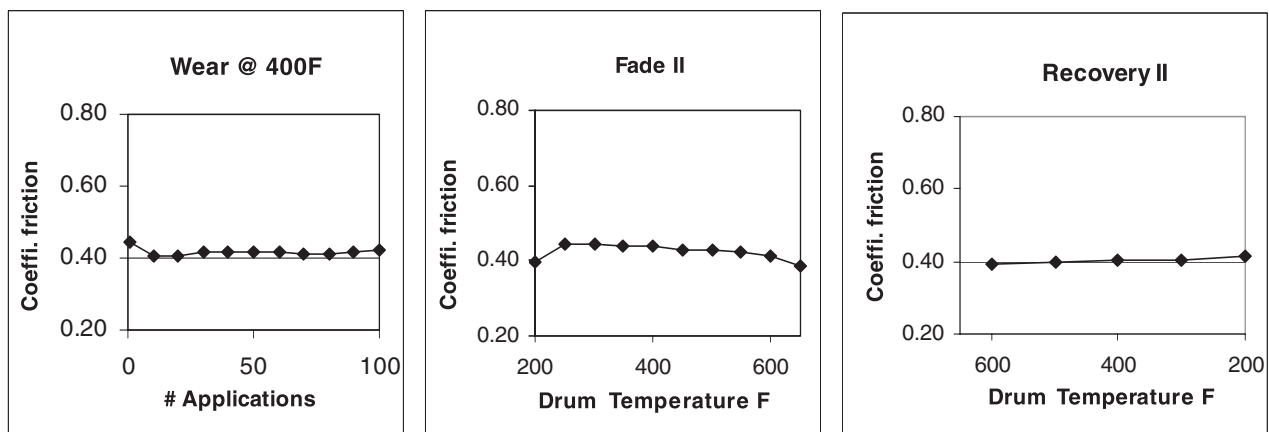
## MECHANICAL PROPERTIES

Specific Gravity (SAE J380) : 2.0-2.15  
 Gogan Hardness (SAE J379A) : 15-35  
 Tensile Strength, PSI (ASTM D638) : 2000<sub>min</sub>

## FRICTIONAL PROPERTIES

Coefficient of Friction (SAE J661):  
 Normal\* : 0.43  
 Hot\* : 0.41  
 Wear Rate (SAE J661)  
 (inch<sup>3</sup>/hp-hr) : 0.005<sub>max</sub>  
 Friction Code : FF  
 Maximum Operating Limits:  
 Rubbing Speed\*\* : 5000 fpm  
 Pressure\*\* : 200 psi  
 Drum Temperature for  
 Constant Operation\*\* : 550°F

## SAE J661A TEST CURVES



\*Note 1. – Friction values shown are for guide purposes only since values deviate with changes in temperature, pressure and speed. Practical design should include a 25 to 50 percent safety factor.

\*\*Note 2. – Rubbing speed, drum temperature, and pressure are directly related. Changing any one value will change the others. The values shown represent typical conditions, but are not the ultimate limits of the material.

# Product Data Sheet: RF 38

## GENERAL DESCRIPTION

RF38 is a rigid molded *Non-Asbestos, Metallic* friction material suitable for use in *Medium Friction* brake/clutch applications in a wide variety of equipments such as agricultural equipment, overhead cranes and heavy duty equipment. RF 38 is non-corrosive, non-abrasive and kind to mating surface. RF 38 can be molded into many intricate internal, external, and customer specified shapes.

## FEATURES

- Exceptional dimensional stability
- High compression strength
- Excellent corrosion resistance
- High Compressibility
- Excellent wear rate.

## PHYSICAL PROPERTIES

Specific Gravity (SAE J380) : 2.06  
 Gogan Hardness (SAE J379A) : 19-23  
 Tensile Strength(ASTM D638) : 2800 psi (min)  
 Compression Strength : 10369 psi (min)

## FRictionAL PROPERTIES

Coefficient of Friction (SAE J661):  
 Normal\* : 0.41  
 Hot\* : 0.43

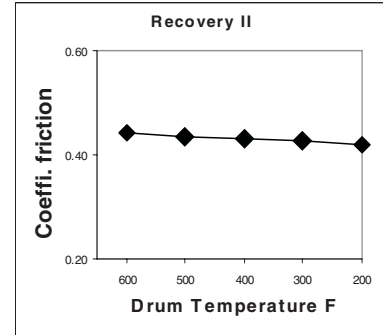
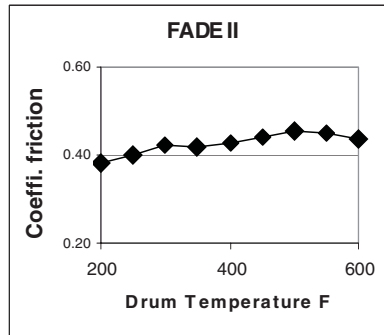
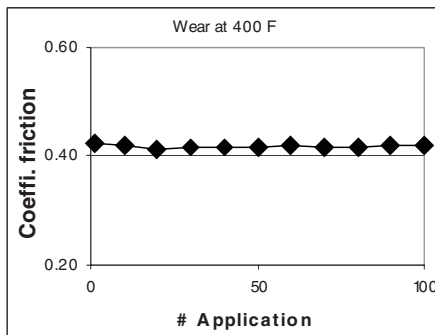
Wear Rate (SAE J661)  
 (inch<sup>3</sup>/hp-hr) : 0.005<sub>max</sub>

Friction Code : FF

Maximum Operating Limits:  
 Rubbing Speed\*\* : 10000 fpm  
 Pressure\*\* : 2000 psi

Drum Temperature for  
 Constant Operation\*\* : 650°F

## SAE J661A TEST CURVES



\*Note 1. – Friction values shown are for guide purposes only since values deviate with changes in temperature, pressure and speed. Practical design should include a 25 to 50 percent safety factor.

\*\*Note 2. – Rubbing speed, drum temperature, and pressure are directly related. Changing any one value will change the others. The values shown represent typical conditions, but are not the ultimate limits of the material.

# Product Data Sheet: RF 52

## PRODUCT DESCRIPTION

**RF 52** is a rigid molded friction material suitable for use in *High Friction* brake/clutch applications. This product features excellent fade resistance and long wear. RF 52 provides outstanding service on off-road drum/disc brakes, and as a holding brake on cranes, shovels, draglines, and winches. The product is remarkably easy on the wear surface. RF 52 can be molded into wide range of shapes and sizes to satisfy virtually all industrial applications.

## CHARACTERISTICS

- Exceptional dimensional stability
- Excellent corrosion resistance
- High Compressibility
- Excellent wear rate.
- Suitable for Dry & Wet applications

## MECHANICAL PROPERTIES

Specific Gravity (SAE J380) : 2.20- 2.40  
 Gogan Hardness (SAE J379A) : 15-35  
 Tensile Strength(ASTM D638) : 3000 psi (min)

## FRICITIONAL PROPERTIES

Coefficient of Friction (SAE J661):

Normal\* : 0.58  
 Hot\* : 0.55

Wear Rate (SAE J661)  
 (inch<sup>3</sup>/hp-hr) : 0.007<sub>max</sub>

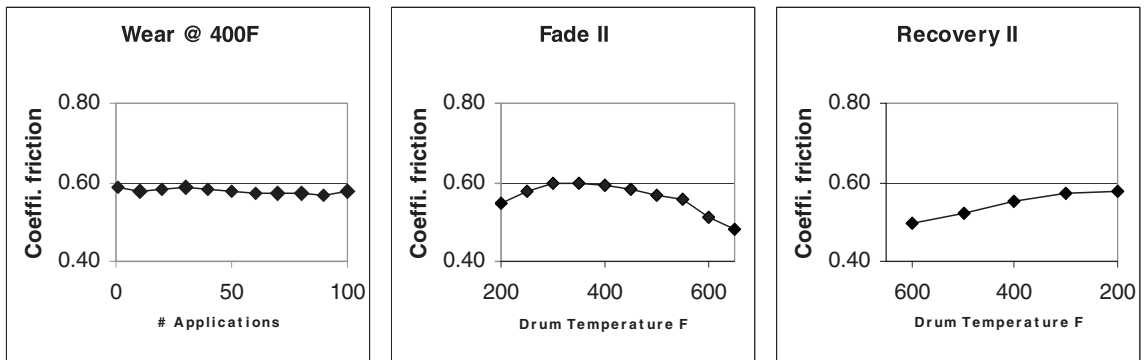
Friction Code : HG

Maximum Operating Limits:

Rubbing Speed\*\* : 10000 fpm  
 Pressure\*\* : 2000 psi

Drum Temperature for  
 Constant Operation\*\* : 650°F

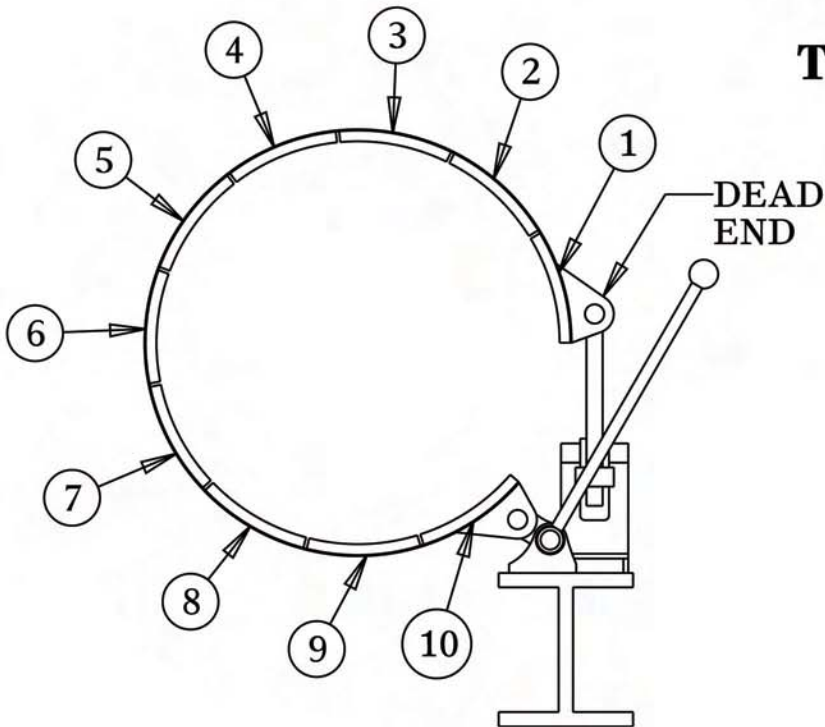
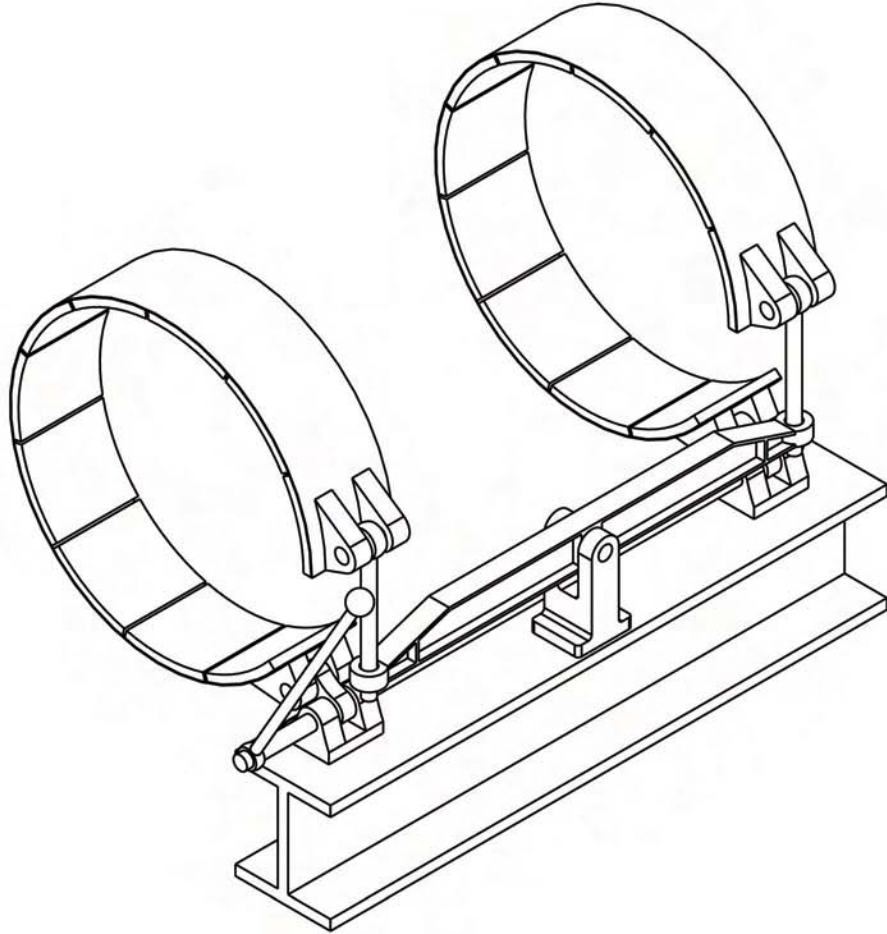
## SAE J661A TEST CURVES



\*Note 1. – Friction values shown are for guide purposes only since values deviate with changes in temperature, pressure and speed. Practical design should include a 25 to 50 percent safety factor.

\*\*Note 2. – Rubbing speed, drum temperature, and pressure are directly related. Changing any one value will change the others. The values shown represent typical conditions, but are not the ultimate limits of the material.





## TYPICAL APPLICATIONS

- DEAD END WELL SERVICE  
1=RF-34 MOLDED
- DEAD END DRILLING ONLY  
2=RF-34 MOLDED
- DRILL RIG SETUP  
2=RF-34 MOLDED  
4=RF-34 MOLDED
- TYPICAL FRANKS KIT  
(1287 MODEL)  
1=RF-34 MOLDED  
3=RF-34 MOLDED  
4=1/2 RF-34 MOLDED

# WOVEN AND MOLDED NON-ASBESTOS BLOCKS FOR DRAWWORKS

## Installation Notes

1. Before removing old blocks, be sure the blocks that were sent will fit your bands. Visually or with tape measure, check blocks to be sure they are the correct size and have the correct number of holes and hole spacing. Count blocks to insure there was no packing error.
2. Be sure bands are correctly prepared before installing blocks. Bands must be clean from rust, oil, scale and any other foreign matter. The static friction between the blocks and band is very important to help keep blocks from displacing from band. Band must not be out of round, bent or kinked. Partial contact between blocks and drum will result in uneven wear and raise the operating temperature of the blocks that are making contact to the extent there could be a reduction in braking and could result in total failure to hold the load.
3. Sometimes the drilled holes of the band and block fail to perfectly align with each other. This can be due to tolerances given the band and block manufacture. Be sure the band is positioned as near possible to the same diameter as the drum when installing the blocks. This can be accomplished by tying the ends of the band with wire or lying on the floor and placing ends of band at the proper distance from each other to achieve the diameter of the drum. The holes of the band and blocks are now in the most perfect relationship to align.
4. When wiper blocks are included with sets, be sure they are installed in the proper location. We recommend they be placed on or near the "dead end" of the band. Since the wiper or molded block has a lower coefficient of friction and is more abrasive than the woven blocks, too many molded blocks could result in reducing the braking ability. Stay with manufacturer's recommendations when possible.
5. Some blocks fit any number of drawworks bands but the band may be a different drum diameter. Woven blocks are flexible enough to conform to most drum diameters. On the other hand molded blocks are more dense and molded to shape by heat and pressure. Sometimes installing a molded block with the wrong drum diameter will cause that block to crack, or going the other way will leave a gap under the block which will collect debris. Since changing the radius of the blocks actually changes the hole centers to a lesser or greater degree depending on the rate of change, we recommend installing the screw in the center hole first then work outward. Tighten in the same manner which should allow blocks to conform against band. Optimum torque of 3/8" screw is 10-15 ft lbs. (*or a comfortable 2-finger pull on 6" wrench*). *Do not use power impact tools.*
6. **We recommend you do not "burn-in" our blocks.** With our quality, non-asbestos A-blocks there is no need and this could actually change the characteristics of the block. In spite of every precaution in installation of blocks to bands and the bands to the anchoring devices, there can still be braking difficulties. Some causes of poor braking include:
  - a. not removing paint, oil, grease or rust from band;
  - b. thin or worn drums;
  - c. improperly adjusting bands;
  - d. cooling system not functioning properly;
  - e. worn linkage;
  - f. not using or poor functioning assist brake;
  - g. equalizers not adjusted properly.





**SCAN-PAC**  
MFG., INC.

31502 Sugar Bend Drive  
Magnolia, TX 77355

Toll Free: (866) 475-7965

Phone: (281) 356-1640

Fax: (281) 356-1603

E-Mail: [oilfield@scanpac.com](mailto:oilfield@scanpac.com)

Web Site: [www.scanpac.com](http://www.scanpac.com)



**Friction  
& Phenolic  
Specialists**

